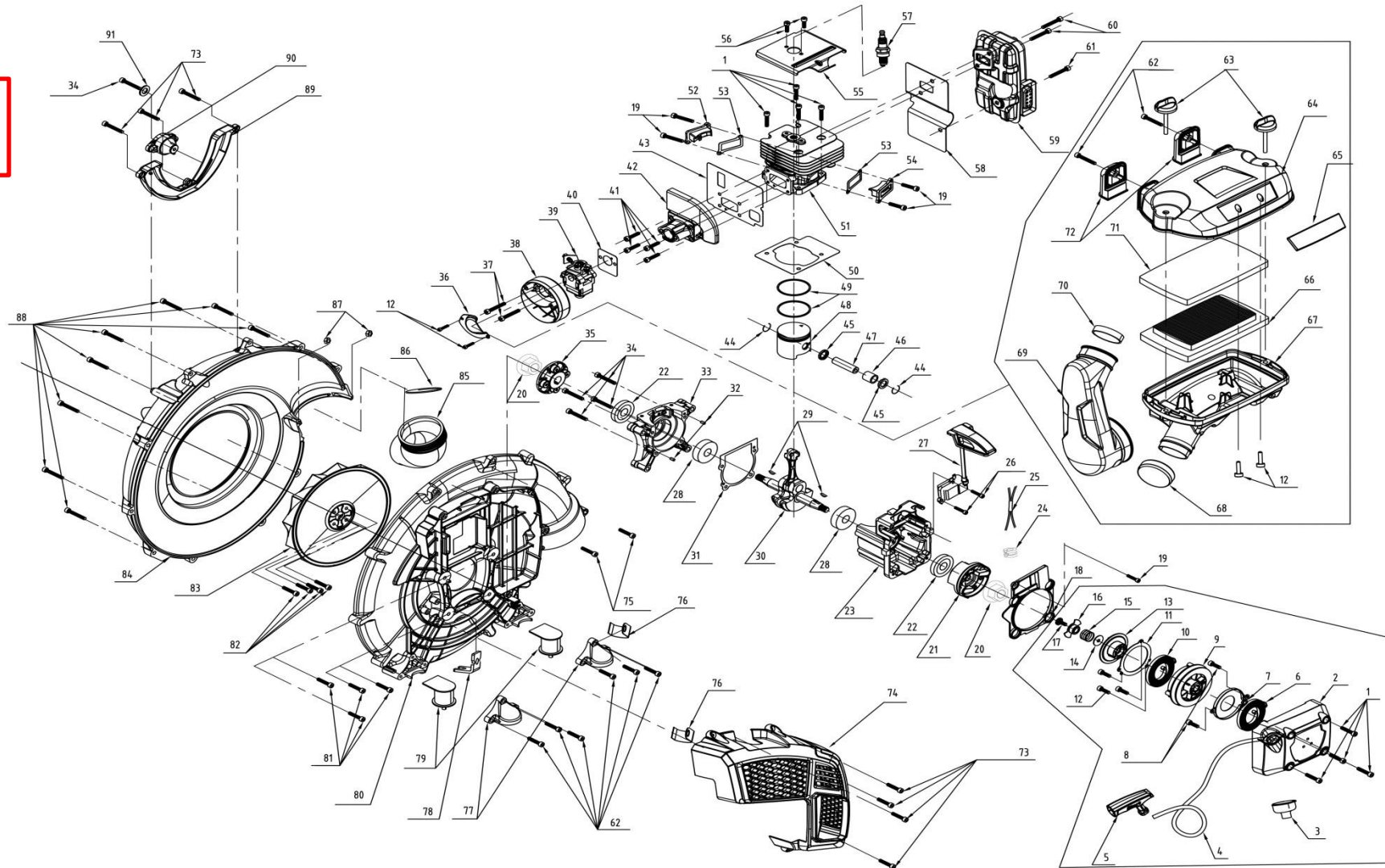




# SOPLADOR DBL-BP76 REF: DBL40BP76

P1



VERSION 1.0



# SOPLADOR DBL-BP76 REF: DBL40BP76

PAG	POS	REFERENCIA	DESCRIPCION	PAG	POS	REFERENCIA	DESCRIPCION
P1	V	DBL40BP76/P1/V	ARRANCADOR COMPLETO DBL-BP76	P1	25	DBL40BP76/P1/25	CABLE DBL-BP76
P1	1	DBL40BP76/P1/1	TORNILLO ARRANCADOR DBL-BP76	P1	26	DBL40BP76/P1/26	TORNILLO DBL-BP76
P1	2	DBL40BP76/P1/2	TAPA ARRANCADOR DBL-BP76	P1	27	DBL40BP76/P1/27	BOBINA DE ENCENDIDO DBL-BP76
P1	3	DBL40BP76/P1/3	TOPE POMO DBL-BP76	P1	28	DBL40BP76/P1/28	RODAMIENTO DBL-BP76
P1	4	DBL40BP76/P1/4	CUERDA ARRANCADOR DBL-BP76	P1	29	DBL40BP76/P1/29	CHAVETA DBL-BP76
P1	5	DBL40BP76/P1/5	POMO ARRANCADOR DBL-BP76	P1	30	DBL40BP76/P1/30	CIGÜEÑAL DBL-BP76
P1	6	DBL40BP76/P1/6	MUELLE ARRANCADOR DBL-BP76	P1	31	DBL40BP76/P1/31	JUNTA CARTER DBL-BP76
P1	7	DBL40BP76/P1/7	CARCASA MUELLE DBL-BP76	P1	32	DBL40BP76/P1/32	PASADOR DBL-BP76
P1	8	DBL40BP76/P1/8	TORNILLO TAPA DBL-BP76	P1	33	DBL40BP76/P1/33	CARTER LADO ENCENDIDO DBL-BP76
P1	9	DBL40BP76/P1/9	POLEA CUERDA DBL-BP76	P1	34	DBL40BP76/P1/34	TORNILLO DBL-BP76
P1	10	DBL40BP76/P1/10	MUELLE ARRANQUE RAPIDO DBL-BP76	P1	35	DBL40BP76/P1/35	CONECTOR TURBINA DBL-BP76
P1	11	DBL40BP76/P1/11	TAPA MUELLE DBL-BP76	P1	36	DBL40BP76/P1/36	CHAPA SOPORTE DBL-BP76
P1	12	DBL40BP76/P1/12	TORNILLO TAPA DBL-BP76	P1	37	DBL40BP76/P1/37	TORNILLO DBL-BP76
P1	13	DBL40BP76/P1/13	POLEA ARRANQUE DBL-BP76	P1	38	DBL40BP76/P1/38	CARCASA FILTRO AIRE DBL-BP76
P1	14	DBL40BP76/P1/14	ARANDELA DBL-BP76	P1	39	DBL40BP76/P1/39	CARBURADOR DBL-BP76
P1	15	DBL40BP76/P1/15	MUELLE AJUSTE DBL-BP76	P1	40	DBL40BP76/P1/40	JUNTA CARBURADOR DBL-BP76
P1	16	DBL40BP76/P1/16	TRINQUETE DBL-BP76	P1	41	DBL40BP76/P1/41	TORNILLO DBL-BP76
P1	17	DBL40BP76/P1/17	TORNILLO DBL-BP76	P1	42	DBL40BP76/P1/42	SEPARADOR TERMICO DBL-BP76
P1	18	DBL40BP76/P1/18	TAPA ENCENDIDO DBL-BP76	P1	43	DBL40BP76/P1/43	JUNTA ADMISION DBL-BP76
P1	19	DBL40BP76/P1/19	TORNILLO DBL-BP76	P1	44	DBL40BP76/P1/44	CLIP BULON DBL-BP76
P1	20	DBL40BP76/P1/20	TUERCA DBL-BP76	P1	45	DBL40BP76/P1/45	ARANDELA BULON DBL-BP76
P1	21	DBL40BP76/P1/21	VOLANTE MAGNETICO DBL-BP76	P1	46	DBL40BP76/P1/46	RODAMIENTO AGUJA DBL-BP76
P1	22	DBL40BP76/P1/22	RETEN DBL-BP76	P1	47	DBL40BP76/P1/47	BULON DBL-BP76
P1	23	DBL40BP76/P1/23	CARTER LADO ARRANCADOR DBL-BP76	P1	48	DBL40BP76/P1/48	PISTON DBL-BP76
P1	24	DBL40BP76/P1/24	PASA CABLE DBL-BP76	P1	49	DBL40BP76/P1/49	SEGMENTOS DBL-BP76

VERSION 1.0

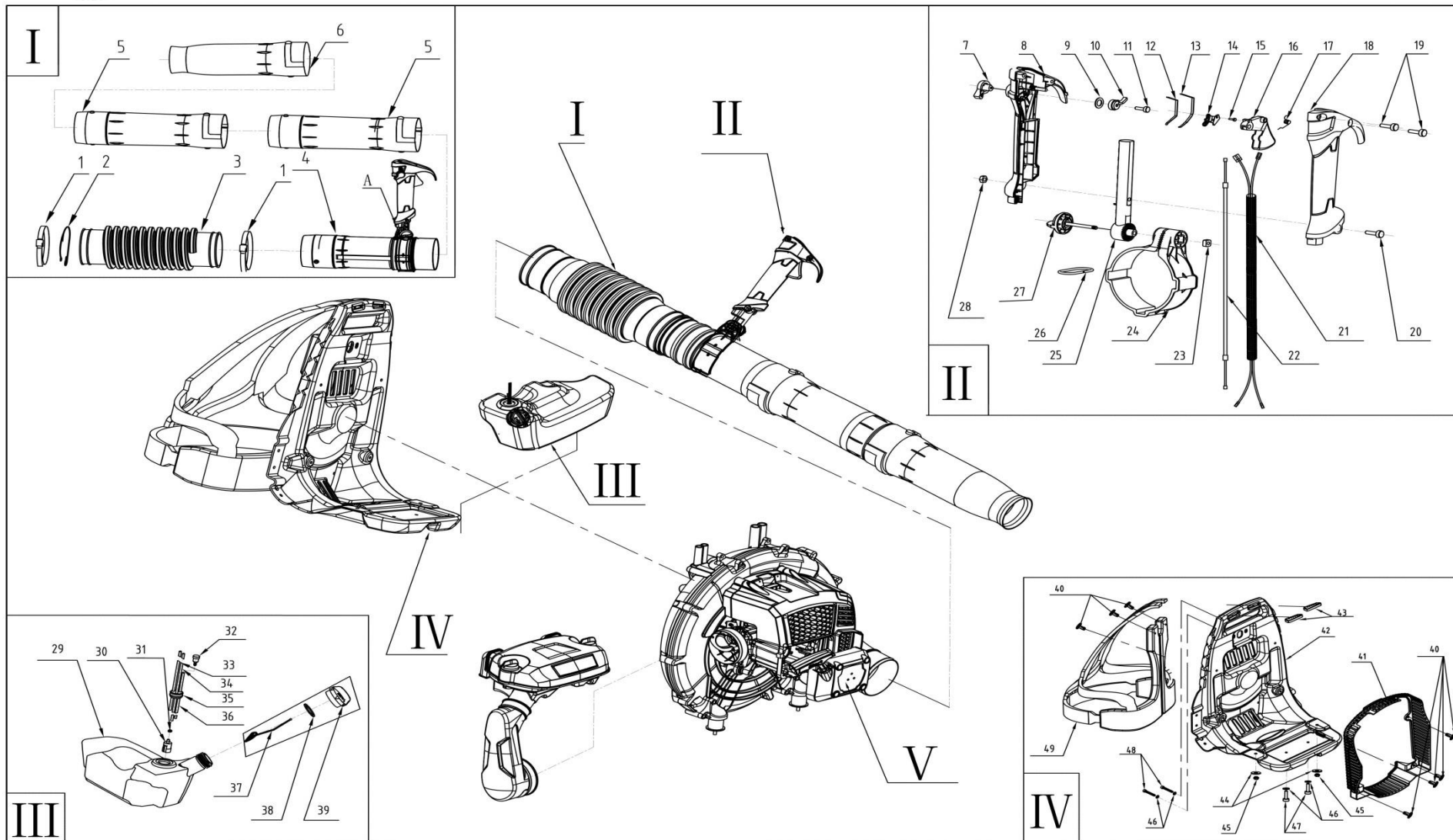


## SOPLADOR DBL-BP76 REF: DBL40BP76

PAG	POS	REFERENCIA	DESCRIPCION	PAG	POS	REFERENCIA	DESCRIPCION
P1	50	DBL40BP76/P1/50	JUNTA CILINDRO DBL-BP76	P1	71	DBL40BP76/P1/71	ESPONJA FILTRO AIRE DBL-BP76
P1	51	DBL40BP76/P1/51	CILINDRO DBL-BP76	P1	72	DBL40BP76/P1/72	CUBIERTA LATERAL DBL-BP76
P1	52	DBL40BP76/P1/52	TAPA TRASERA CILINDRO DBL-BP76	P1	73	DBL40BP76/P1/73	TORNILLO DBL-BP76
P1	53	DBL40BP76/P1/53	JUNTA TAPA LATERAL DBL-BP76	P1	74	DBL40BP76/P1/74	TAPA MOTOR DBL-BP76
P1	54	DBL40BP76/P1/54	TAPA DELANTERA CILINDRO DBL-BP76	P1	75	DBL40BP76/P1/75	TORNILLO DBL-BP76
P1	55	DBL40BP76/P1/55	CHAPA AIREACION DBL-BP76	P1	76	DBL40BP76/P1/76	SOPORTE CABLE ACELERADOR SUPERIOR DBL-BP76
P1	56	DBL40BP76/P1/56	TORNILLO DBL-BP76	P1	77	DBL40BP76/P1/77	CASQUILLO DBL-BP76
P1	57	DBL40BP76/P1/57	BUJIA DBL-BP76	P1	78	DBL40BP76/P1/78	SOPORTE CABLE ACELERADOR INFERIOR DBL-BP76
P1	58	DBL40BP76/P1/58	JUNTA ESCAPE DBL-BP76	P1	79	DBL40BP76/P1/79	ANTIVIBRATORIO DBL-BP76
P1	59	DBL40BP76/P1/59	ESCAPE DBL-BP76	P1	80	DBL40BP76/P1/80	CARCASA SOPORTE MOTOR DBL-BP76
P1	60	DBL40BP76/P1/60	TORNILLO DBL-BP76	P1	81	DBL40BP76/P1/81	TORNILLO DBL-BP76
P1	61	DBL40BP76/P1/61	TORNILLO DBL-BP76	P1	82	DBL40BP76/P1/82	TORNILLO DBL-BP76
P1	62	DBL40BP76/P1/62	TORNILLO TAPA DBL-BP76	P1	83	DBL40BP76/P1/83	TURBINA DBL-BP76
P1	63	DBL40BP76/P1/63	TORNILLO PALOMILLA FILTRO DBL-BP76	P1	84	DBL40BP76/P1/84	CARCASA TAPA TURBINA DBL-BP76
P1	64	DBL40BP76/P1/64	TAPA FILTRO AIRE DBL-BP76	P1	85	DBL40BP76/P1/85	CODO SALIDA AIRE DBL-BP76
P1	65	DBL40BP76/P1/65	PLACA IDENTIFICACION DBL-BP76	P1	86	DBL40BP76/P1/86	TORICA DBL-BP76
P1	66	DBL40BP76/P1/66	ELEMENTO FILTRO AIRE DBL-BP76	P1	87	DBL40BP76/P1/87	TUERCA DBL-BP76
P1	67	DBL40BP76/P1/67	SOPORTE FILTRO AIRE DBL-BP76	P1	88	DBL40BP76/P1/88	TORNILLO CARCASA DBL-BP76
P1	68	DBL40BP76/P1/68	BRIDA SUJECCION SUPERIOR DBL-BP76	P1	89	DBL40BP76/P1/89	SOPORTE CARCASA DBL-BP76
P1	69	DBL40BP76/P1/69	CONDUCTO FILTRO AIRE DBL-BP76	P1	90	DBL40BP76/P1/90	TACO SOPORTE DBL-BP76
P1	70	DBL40BP76/P1/70	BRIDA SUJECCION INFERIOR DBL-BP76	P1	91	DBL40BP76/P1/91	ARANDELA DBL-BP76



# SOPLADOR DBL-BP76 REF: DBL40BP76



VERSION 1.0



# SOPLADOR DBL-BP76 REF: DBL40BP76

PAG	POS	REFERENCIA	DESCRIPCION	PAG	POS	REFERENCIA	DESCRIPCION
P2	I	DBL40BP76/P2/I	TUBO SOPLADO COMPLETO DBL-BP76	P2	26	DBL40BP76/P2/26	CONECOTR DBL-BP76
P2	1	DBL40BP76/P2/1	BRIDA SUJECCION DBL-BP76	P2	27	DBL40BP76/P2/27	TORNILLO PALOMILLA DBL-BP76
P2	2	DBL40BP76/P2/2	CLI DBL-BP76	P2	28	DBL40BP76/P2/28	TUERCA DBL-BP76
P2	3	DBL40BP76/P2/3	TUBO FUELLE DBL-BP76	P2	III	DBL40BP76/P2/III	DEPOSITO COMBUSTIBLE COMPLETO DBL-BP76
P2	4	DBL40BP76/P2/4	TUBO TRASERO DBL-BP76	P2	29	DBL40BP76/P2/29	DEPOSITO COMSTIBLE DBL-BP76
P2	5	DBL40BP76/P2/5	TUBO INTERMEDIO DBL-BP76	P2	30	DBL40BP76/P2/30	FILTRO COMBUSTIBLE DBL-BP76
P2	6	DBL40BP76/P2/6	BOQUILLA DBL-BP76	P2	31	DBL40BP76/P2/31	CLIP TUBO DBL-BP76
P2	II	DBL40BP76/P2/II	ACELERADOR COMPLETO DBL-BP76	P2	32	DBL40BP76/P2/32	VALVULA RESPIRADERO DBL-BP76
P2	7	DBL40BP76/P2/7	SEGURO DBL-BP76	P2	33	DBL40BP76/P2/33	TUBO RETORNO DBL-BP76
P2	8	DBL40BP76/P2/8	TAPA LATERAL IZQUIERDA ACELERADOR DBL-BP76	P2	34	DBL40BP76/P2/34	TUBO GASOLINA DBL-BP76
P2	9	DBL40BP76/P2/9	ARANDELA ELASTICA DBL-BP76	P2	35	DBL40BP76/P2/35	PASA TUBO DBL-BP76
P2	10	DBL40BP76/P2/10	LEVA ACELERADOR DBL-BP76	P2	36	DBL40BP76/P2/36	TUBO RESPIRADERO DBL-BP76
P2	11	DBL40BP76/P2/11	TORNILLO LEVA DBL-BP76	P2	37	DBL40BP76/P2/37	CUERDA TAPON DEPOSITO DBL-BP76
P2	12	DBL40BP76/P2/12	RESORTE A DBL-BP76	P2	38	DBL40BP76/P2/38	JUNTA TAPON DBL-BP76
P2	13	DBL40BP76/P2/13	RESORTE B DBL-BP76	P2	39	DBL40BP76/P2/39	TAPON DEPOSITO DBL-BP76
P2	14	DBL40BP76/P2/14	LIMITADOR DBL-BP76	P2	IV	DBL40BP76/P2/IV	PLACA ESPALDAR COMPLETO DBL-BP76
P2	15	DBL40BP76/P2/15	TORNILLO DBL-BP76	P2	40	DBL40BP76/P2/40	CLIP ARNES DBL-BP76
P2	16	DBL40BP76/P2/16	GATILLO ACELERADOR DBL-BP76	P2	41	DBL40BP76/P2/41	REJILLA ENTRADA AIRE DBL-BP76
P2	17	DBL40BP76/P2/17	RESORTE GATILLO DBL-BP76	P2	42	DBL40BP76/P2/42	SOPORTE ESPALDAR DBL-BP76
P2	18	DBL40BP76/P2/18	TAPA LATERAL DERECHA ACELERADOR DBL-BP76	P2	43	DBL40BP76/P2/43	SOPORTE ARNES DBL-BP76
P2	19	DBL40BP76/P2/19	TORNILLO DBL-BP76	P2	44	DBL40BP76/P2/44	ARANDELA ELASTICA DBL-BP76
P2	20	DBL40BP76/P2/20	TORNILLO DBL-BP76	P2	45	DBL40BP76/P2/45	TUERCA DBL-BP76
P2	21	DBL40BP76/P2/21	CABLE PAREN DBL-BP76	P2	46	DBL40BP76/P2/46	ARANDELA DBL-BP76
P2	22	DBL40BP76/P2/22	CABLE ACELERADOR DBL-BP76	P2	47	DBL40BP76/P2/47	TORNILLO DBL-BP76
P2	23	DBL40BP76/P2/23	TUERCA DBL-BP76	P2	48	DBL40BP76/P2/48	TORNILLO DBL-BP76
P2	24	DBL40BP76/P2/24	SOPORTE ACELERADOR DBL-BP76	P2	49	DBL40BP76/P2/49	ARNES DBL-BP76
P2	25	DBL40BP76/P2/25	EJE SOPORTE DBL-BP76	P2	26	DBL40BP76/P2/26	CONECOTR DBL-BP76

VERSION 1.0





SOPLADOR DBL-BP76 REF: DBL40BP76

VERSION 1.0