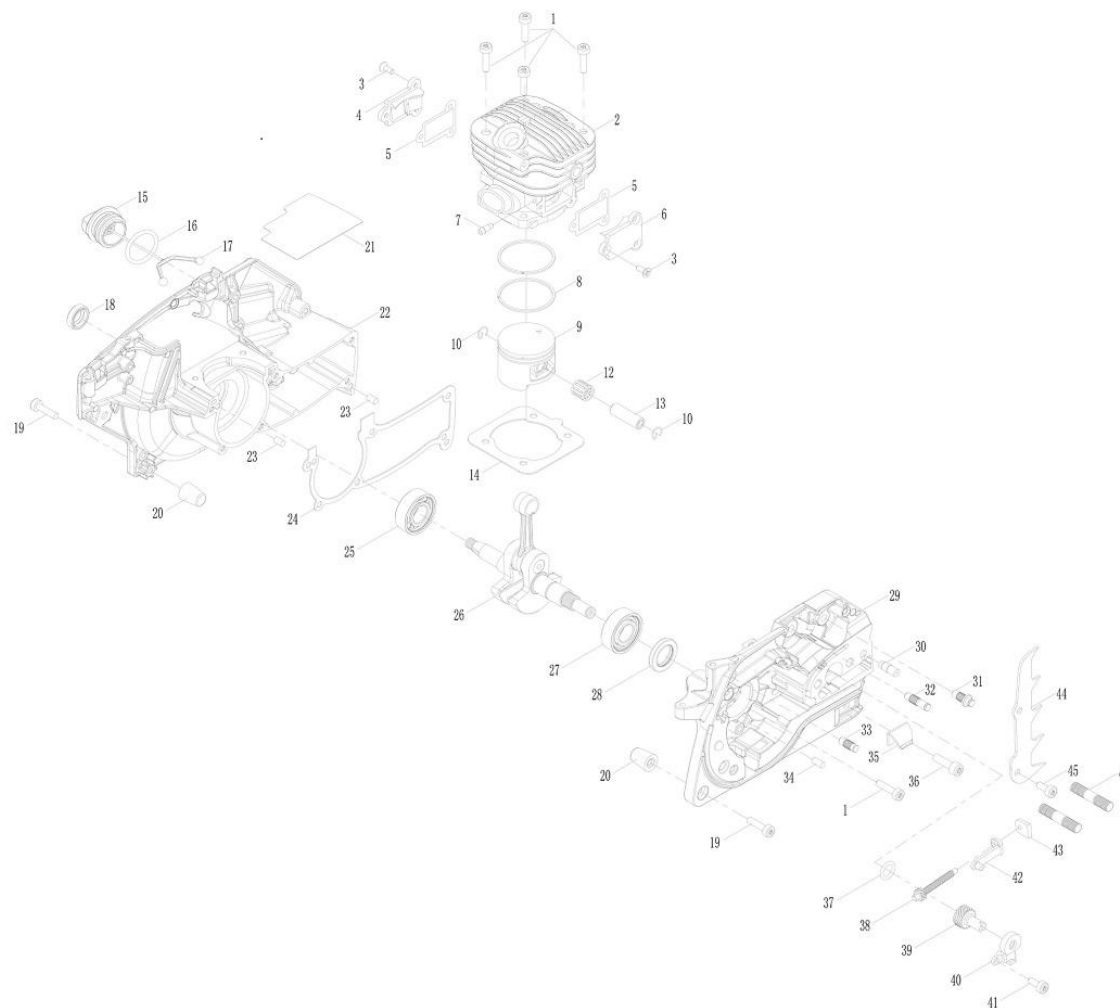




MOTOSIERRA DCS5500R REF: DCS265518R

P1



VERSION 1.0



MOTOSIERRA DCS5500R REF: DCS265518R

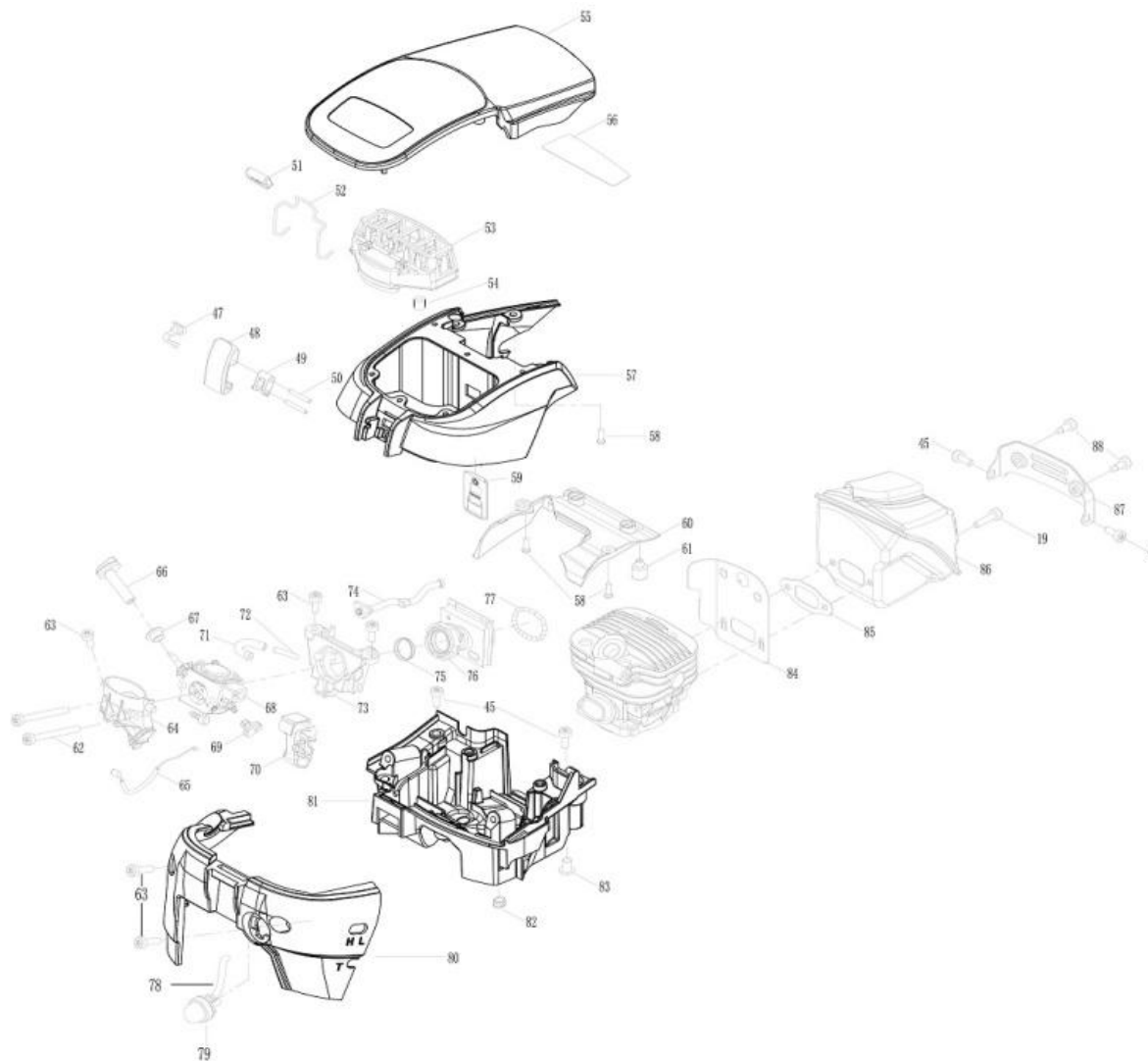
PAG	POS	REFERENCIAS	DESCRIPCION
P1	1	DCS265518R/P1/1	TORNILLO 5*20 DCS5500R
P1	2	DCS265518R/P1/2	CILINDRO DCS5500R
P1	3	DCS265518R/P1/3	TORNILLO 4*8 DCS5500R
P1	4	DCS265518R/P1/4	TAPA LATERAL CILINDRO IZQ DCS5500R
P1	5	DCS265518R/P1/5	JUNTA TAPA LATERAL DCS5500R
P1	6	DCS265518R/P1/6	TAPA LATERAL CILINDRO DRCH DCS5500R
P1	7	DCS265518R/P1/7	CONECTOR VACIO DCS5500R
P1	8	DCS265518R/P1/8	SEGMENTOS DCS5500R
P1	9	DCS265518R/P1/9	PISTON DCS5500R
P1	10	DCS265518R/P1/10	GRUPILLA BULON DCS5500R
P1	12	DCS265518R/P1/12	JAULA AGUJAS DCS5500R
P1	13	DCS265518R/P1/13	BULON DCS5500R
P1	14	DCS265518R/P1/14	JUNTA CILINDRO DCS5500R
P1	15	DCS265518R/P1/15	TAPON DEPOSITO ACEITE DCS5500R
P1	18	DCS265518R/P1/18	RETEN 12*20*5 DCS5500R
P1	19	DCS265518R/P1/19	TORNILLO 5*20 DCS5500R
P1	20	DCS265518R/P1/20	TACO ANTIVIBRATORIO DCS5500R
P1	21	DCS265518R/P1/21	AISLANTE TERMICO DCS5500R
P1	22	DCS265518R/P1/22	CARTER IZQUIERDO DCS5500R
P1	23	DCS265518R/P1/23	PIN 5*10 DCS5500R
P1	24	DCS265518R/P1/24	JUNTA CARTER DCS5500R
P1	25	DCS265518R/P1/25	RODAMIENTO 6202 DCS5500R

PAG	POS	REFERENCIAS	DESCRIPCION
P1	26	DCS265518R/P1/26	CIGÜEÑAL DCS5500R
P1	27	DCS265518R/P1/27	RODAMIENTO DCS5500R
P1	28	DCS265518R/P1/28	RETEN 20*30*5 DCS5500R
P1	29	DCS265518R/P1/29	CARTER LADO EMBRAGUE DCS5500R
P1	30	DCS265518R/P1/30	RESPIRADERO DCS5500R
P1	31	DCS265518R/P1/31	EJE PALANCA FRENO DCS5500R
P1	32	DCS265518R/P1/32	EJE PROTECTOR SALVAMANOS DCS5500R
P1	33	DCS265518R/P1/33	EJE RESORTE FRENO DCS5500R
P1	34	DCS265518R/P1/34	CASQUILLO 5*14 DCS5500R
P1	35	DCS265518R/P1/35	SALVACADENAS DCS5500R
P1	36	DCS265518R/P1/36	TORNILLO 6*20 DCS5500R
P1	37	DCS265518R/P1/37	TORICA 7*2 DCS5500R
P1	38	DCS265518R/P1/38	TORNILLO TENSOR DCS5500R
P1	39	DCS265518R/P1/39	ENGRANAJE TENSOR DCS5500R
P1	40	DCS265518R/P1/40	TAPA ENGRANAJE TENSOR DCS5500R
P1	41	DCS265518R/P1/41	TORNILLO 5*12 DCS5500R
P1	42	DCS265518R/P1/42	TUERCA TENSORA DCS5500R
P1	43	DCS265518R/P1/43	AJUSTE TENSOR DCS5500R
P1	44	DCS265518R/P1/44	GARRA DE CHOKE DCS5500R
P1	45	DCS265518R/P1/45	TORNILLO 5*16 DCS5500R
P1	46	DCS265518R/P1/46	ESPARRAGO SUJECCION CADENA DCS5500R



MOTOSIERRA DCS5500R REF: DCS265518R

P2



VERSION 1.0



MOTOSIERRA DCS5500R REF: DCS265518R

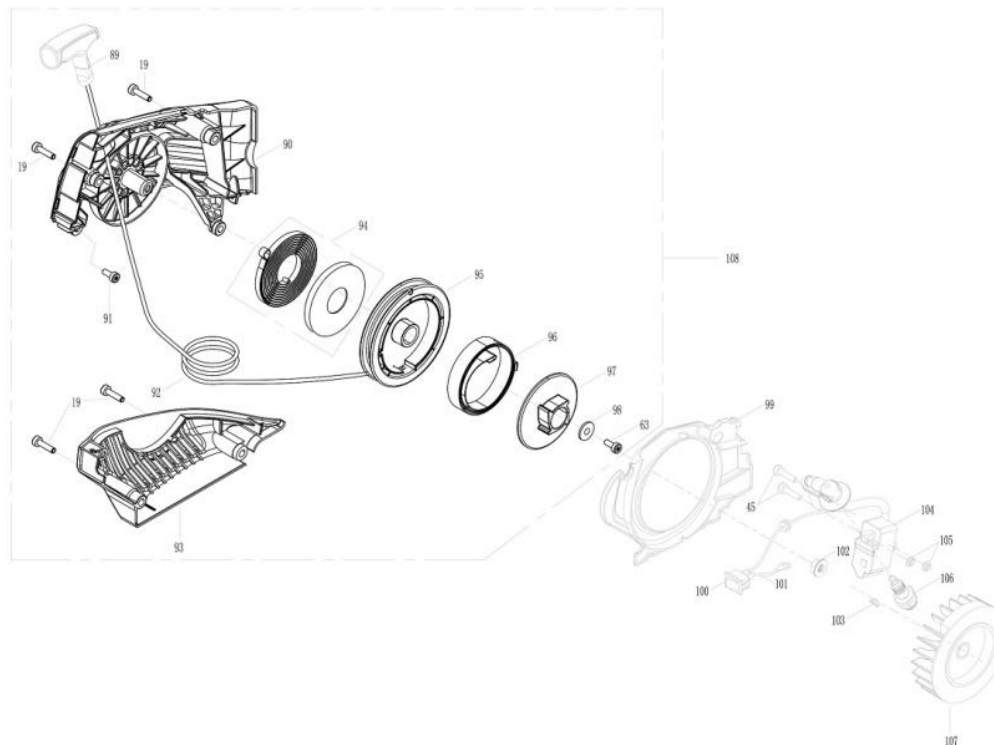
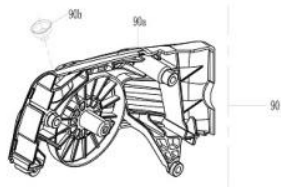
PAG	POS	REFERENCIAS	DESCRIPCION
P2	47	DCS265518R/P2/47	GANCHO CIERRE DCS5500R
P2	48	DCS265518R/P2/48	CIERRE DCS5500R
P2	49	DCS265518R/P2/49	SOPORTE CIERRE DCS5500R
P2	50	DCS265518R/P2/50	PASADORES CIERRE DCS5500R
P2	51	DCS265518R/P2/51	GOMA SUJECCION FILTRO AIRE DCS5500R
P2	52	DCS265518R/P2/52	SUJECCION FILTRO AIRE DCS5500R
P2	53	DCS265518R/P2/53	ELEMENTO FILTRO AIRE DCS5500R
P2	54	DCS265518R/P2/54	TACO FILTRO AIRE DCS5500R
P2	55	DCS265518R/P2/55	TAPA MOTOR DCS5500R
P2	56	DCS265518R/P2/56	ADHESIVO DCS5500R
P2	57	DCS265518R/P2/57	BASE TAPA MOTOR DCS5500R
P2	58	DCS265518R/P2/58	TORNILLO 4*110 DCS5500R
P2	59	DCS265518R/P2/59	TAPA TEMPERATURA DCS5500R
P2	60	DCS265518R/P2/60	TAPA AIREACION CILINDRO DCS5500R
P2	61	DCS265518R/P2/61	TACO TAPA AIREACION DCS5500R
P2	62	DCS265518R/P2/62	TORNILLO 5*55 DCS5500R
P2	63	DCS265518R/P2/63	TORNILLO 5,7*16 DCS5500R
P2	64	DCS265518R/P2/64	BASE FILTRO AIRE DCS5500R
P2	65	DCS265518R/P2/65	CABLE ACELERADOR DCS5500R
P2	66	DCS265518R/P2/66	PALANCA STARTER DCS5500R
P2	67	DCS265518R/P2/67	BASE PALANCA STARTER DCS5500R

PAG	POS	REFERENCIAS	DESCRIPCION
P2	68	DCS265518R/P2/68	CARBURADOR DCS5500R
P2	69	DCS265518R/P2/69	SOPORTE CABLE ACELERADOR DCS5500R
P2	70	DCS265518R/P2/70	GUIA TORNILLO HL DCS5500R
P2	71	DCS265518R/P2/71	TUBO DE VACIO DCS5500R
P2	72	DCS265518R/P2/72	TUBO CONEXIÓN VACIO DCS5500R
P2	73	DCS265518R/P2/73	SOPORTE CABURADOR DCS5500R
P2	74	DCS265518R/P2/74	TUBO DE VACIO DCS5500R
P2	75	DCS265518R/P2/75	ARANDELA SEPARADOR TERMICO DCS5500R
P2	76	DCS265518R/P2/76	SEPARADOR TERMICO DCS5500R
P2	77	DCS265518R/P2/77	ABRAZADERA SEPARADOR TERMICO DCS5500R
P2	78	DCS265518R/P2/78	TUBO CEBADOR 2,5*5,65 DCS5500R
P2	79	DCS265518R/P2/79	CEBADOR DCS5500R
P2	80	DCS265518R/P2/80	TAPA TRASERA DCS5500R
P2	81	DCS265518R/P2/81	CARCASA CARBURADOR DCS5500R
P2	82	DCS265518R/P2/82	PROTECTOR GOMA DCS5500R
P2	83	DCS265518R/P2/83	CASQUILLO DCS5500R
P2	84	DCS265518R/P2/84	JUNTA SILENCIOSO DCS5500R
P2	85	DCS265518R/P2/85	JUNTA SILENCIOSO DCS5500R
P2	86	DCS265518R/P2/86	SILENCIOSO DCS5500R
P2	87	DCS265518R/P2/87	TAPA SILENCIOSO DCS5500R
P2	88	DCS265518R/P2/88	TORNILLO 5*15 DCS5500R



MOTOSIERRA DCS5500R REF: DCS265518R

P3



VERSION 1.0



MOTOSIERRA DCS5500R REF: DCS265518R

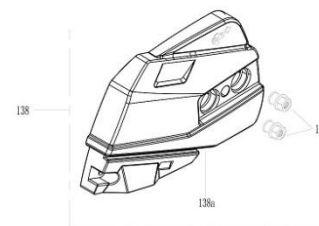
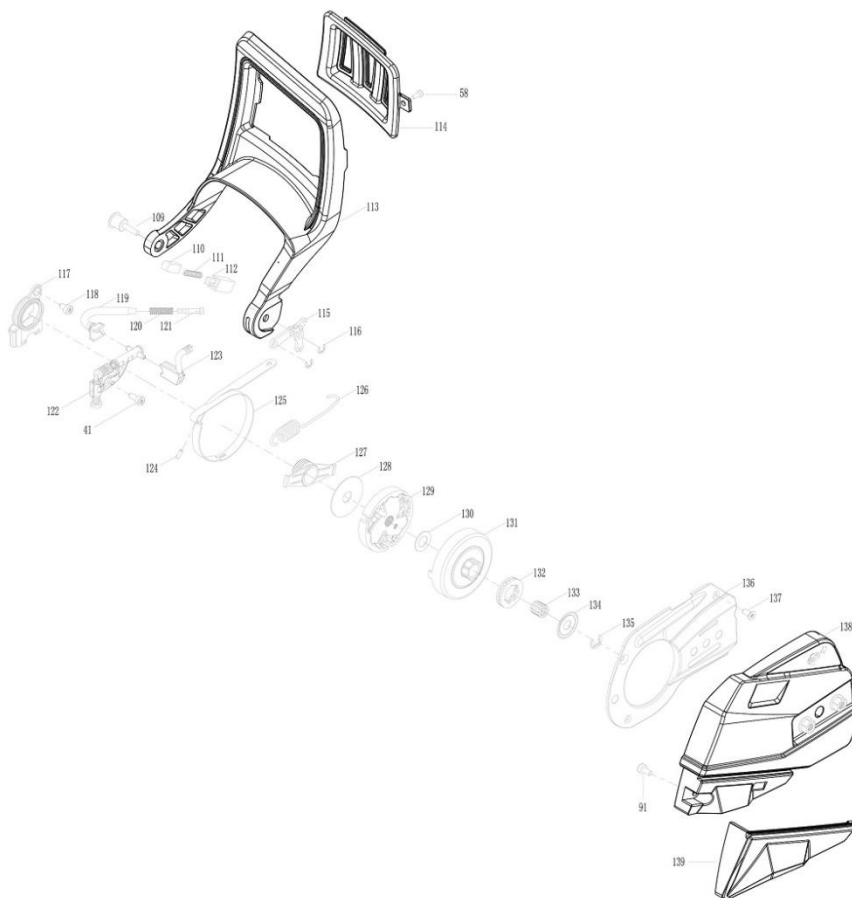
PAG	POS	REFERENCIAS	DESCRIPCION
P3	89	DCS265518R/P3/89	POMO DCS5500R
P3	90	DCS265518R/P3/90	CARCASA ARRANCADOR CON TOPE DCS5500R
P3	90A	DCS265518R/P3/90a	CARCASA ARANCDOR DCS5500R
P3	90B	DCS265518R/P3/90b	TOPE POMO DCS5500R
P3	91	DCS265518R/P3/91	TORNILLO 5,7*13 DCS5500R
P3	92	DCS265518R/P3/92	CUERDA DCS5500R
P3	93	DCS265518R/P3/93	TAPA INFERIOR ARRANCADOR DCS5500R
P3	94	DCS265518R/P3/94	MUELLE ARRANCADOR DCS5500R
P3	95	DCS265518R/P3/95	POLEA ARRANCADOR DCS5500R
P3	96	DCS265518R/P3/96	MUELLE ARRANQUE FACIL DCS5500R
P3	97	DCS265518R/P3/97	POLEA ARRANQUE FACIL DCS5500R
P3	98	DCS265518R/P3/98	ARANDELA DCS5500R
P3	99	DCS265518R/P3/99	CARCASA AIREACION DCS5500R
P3	100	DCS265518R/P3/100	INTERRUPTOR ON/OFF DCS5500R
P3	101	DCS265518R/P3/101	CABLE MASA DCS5500R
P3	102	DCS265518R/P3/102	TUERCA DCS5500R
P3	103	DCS265518R/P3/103	CHAVETA DCS5500R
P3	104	DCS265518R/P3/104	BOBINA DE ARRANQUE DCS5500R
P3	105	DCS265518R/P3/105	ESPACIADOR BOBINA DCS5500R
P3	106	DCS265518R/P3/106	BUJIA DCS5500R
P3	107	DCS265518R/P3/107	VOLANTE MAGNETICO DCS5500R
P3	108	DCS265518R/P3/108	ARRANCADOR COMPLETO DCS5500R

VERSION 1.0



MOTOSIERRA DCS5500R REF: DCS265518R

P4



VERSION 1.0



MOTOSIERRA DCS5500R REF: DCS265518R

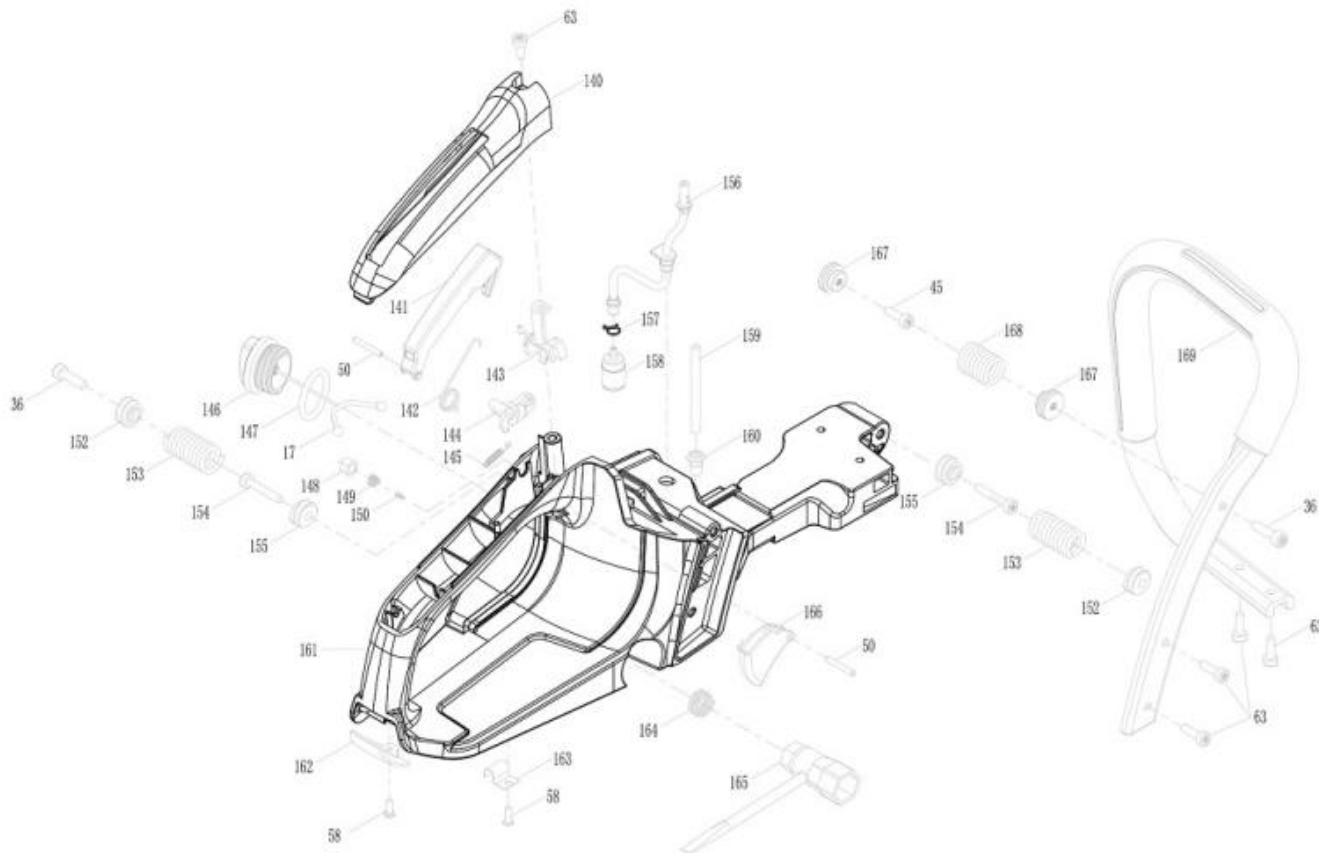
PAG	POS	REFERENCIAS	DESCRIPCION
P4	109	DCS265518R/P4/109	TORNILLO SALVAMANOS DCS5500R
P4	110	DCS265518R/P4/110	CIERRE RESORTE DCS5500R
P4	111	DCS265518R/P4/111	RESORTE RETORNO DCS5500R
P4	112	DCS265518R/P4/112	TAPA RETORNO DCS5500R
P4	113	DCS265518R/P4/113	PROTECTOR SALVAMANOS DCS5500R
P4	114	DCS265518R/P4/114	REJILLA SALVAMANOS DCS5500R
P4	115	DCS265518R/P4/115	SISTEMA SUJECCION FLEJE DCS5500R
P4	116	DCS265518R/P4/116	TORICA 5 DCS5500R
P4	117	DCS265518R/P4/117	TAPA BOMBA DE ENGRASE DCS5500R
P4	118	DCS265518R/P4/118	TORNILLO 5*8 DCS5500R
P4	119	DCS265518R/P4/119	TUBO ACEITE DCS5500R
P4	120	DCS265518R/P4/120	RESORTE TUBO ACEITE DCS5500R
P4	121	DCS265518R/P4/121	FILTRO ACEITE DCS5500R
P4	122	DCS265518R/P4/122	BOMBA DE ENGRASE DCS5500R
P4	123	DCS265518R/P4/123	TUBO SALIDA ACEITE DCS5500R
P4	124	DCS265518R/P4/124	PIN 3*8 DCS5500R
P4	125	DCS265518R/P4/125	FLEJE FRENO DCS5500R
P4	126	DCS265518R/P4/126	PASADOR FLEJE DCS5500R
P4	127	DCS265518R/P4/127	SINFÍN ENGRASE DCS5500R
P4	128	DCS265518R/P4/128	ARANDELA EMBRAGUE DCS5500R
P4	129	DCS265518R/P4/129	EMBRAGUE DCS5500R
P4	130	DCS265518R/P4/130	ARANDELA CAMPANA EMBRAGUE DCS5500R
P4	131	DCS265518R/P4/131	CAMPANA EMBRAGUE DCS5500R
P4	132	DCS265518R/P4/132	ANILLO DESPLAZABLE DCS5500R
P4	133	DCS265518R/P4/133	RODAMIENTO AGUJAS 10*14*13 DCS5500R
P4	134	DCS265518R/P4/134	ARANDELA EMBRAGUE DCS5500R
P4	135	DCS265518R/P4/135	GRUPILLA 8 DCS5500R
P4	136	DCS265518R/P4/136	TAPA FRENO CAMPANA DCS5500R
P4	137	DCS265518R/P4/137	TORNILLO 5*16 DCS5500R
P4	138	DCS265518R/P4/138	TAPA PIÑON CADENA COMPLETA DCS5500R
P4	138A	DCS265518R/P4/138a	TAPA PIÑON DCS5500R
P4	138B	DCS265518R/P4/138b	TUERCA TAPA PIÑON CADENA DCS5500R
P4	139	DCS265518R/P4/139	EMBELLECEDOR TAPA PIÑON CADENA DCS5500R

VERSION 1.0



MOTOSIERRA DCS5500R REF: DCS265518R

P5



VERSION 1.0



MOTOSIERRA DCS5500R REF: DCS265518R

PAG	POS	REFERENCIAS	DESCRIPCION
P5	140	DCS265518R/P5/140	TAPA ACELERADOR DCS5500R
P5	141	DCS265518R/P5/141	GATILLO SEGURIDAD DCS5500R
P5	142	DCS265518R/P5/142	RESORTE GATILLO SEGURIDAD DCS5500R
P5	143	DCS265518R/P5/143	GUIA DCS5500R
P5	144	DCS265518R/P5/144	CONECTOR VARILLA ACELERADOR DCS5500R
P5	145	DCS265518R/P5/145	RESORTE GATILLO DCS5500R
P5	146	DCS265518R/P5/146	TAPON DEPOSITO GASOLINA DCS5500R
P5	147	DCS265518R/P5/147	JUNTA TAPON DCS5500R
P5	148	DCS265518R/P5/148	ESPONGA DCS5500R
P5	149	DCS265518R/P5/149	MUELLE DCS5500R
P5	150	DCS265518R/P5/150	RESPIRADERO DCS5500R
P5	152	DCS265518R/P5/152	SOPORTE AMORTIGUADOR M6 DCS5500R
P5	153	DCS265518R/P5/153	AMORTIGUADOR DCS5500R
P5	154	DCS265518R/P5/154	TORNILLO 5,7*25 DCS5500R
P5	155	DCS265518R/P5/155	SOPORTE AMORTIGUADOR M7 DCS5500R
P5	156	DCS265518R/P5/156	TUBO GASOLINA DCS5500R
P5	157	DCS265518R/P5/157	CLIP DCS5500R
P5	158	DCS265518R/P5/158	FILTRO DE GASOLINA DCS5500R
P5	159	DCS265518R/P5/159	TUBO RETORNO GASOLINA 3,1*5,3*93 DCS5500R
P5	160	DCS265518R/P5/160	PASATUBO DCS5500R
P5	161	DCS265518R/P5/161	DEPOSITO ASA TRASERA DCS5500R
P5	162	DCS265518R/P5/162	CIERRE TAPA ACELERADOR DCS5500R
P5	163	DCS265518R/P5/163	CLIP DCS5500R
P5	164	DCS265518R/P5/164	RESORTE ASIENTO DCS5500R
P5	165	DCS265518R/P5/165	LLAVE BUIJIA DCS5500R
P5	166	DCS265518R/P5/166	GATILLO ACELERADOR DCS5500R
P5	167	DCS265518R/P5/167	SOPORTE AMORTIGUADOR DELANTERO DCS5500R
P5	168	DCS265518R/P5/168	AMORTIGUADOR DELANTERO DCS5500R
P5	169	DCS265518R/P5/169	ASA DELANTERA DCS5500R

VERSION 1.0