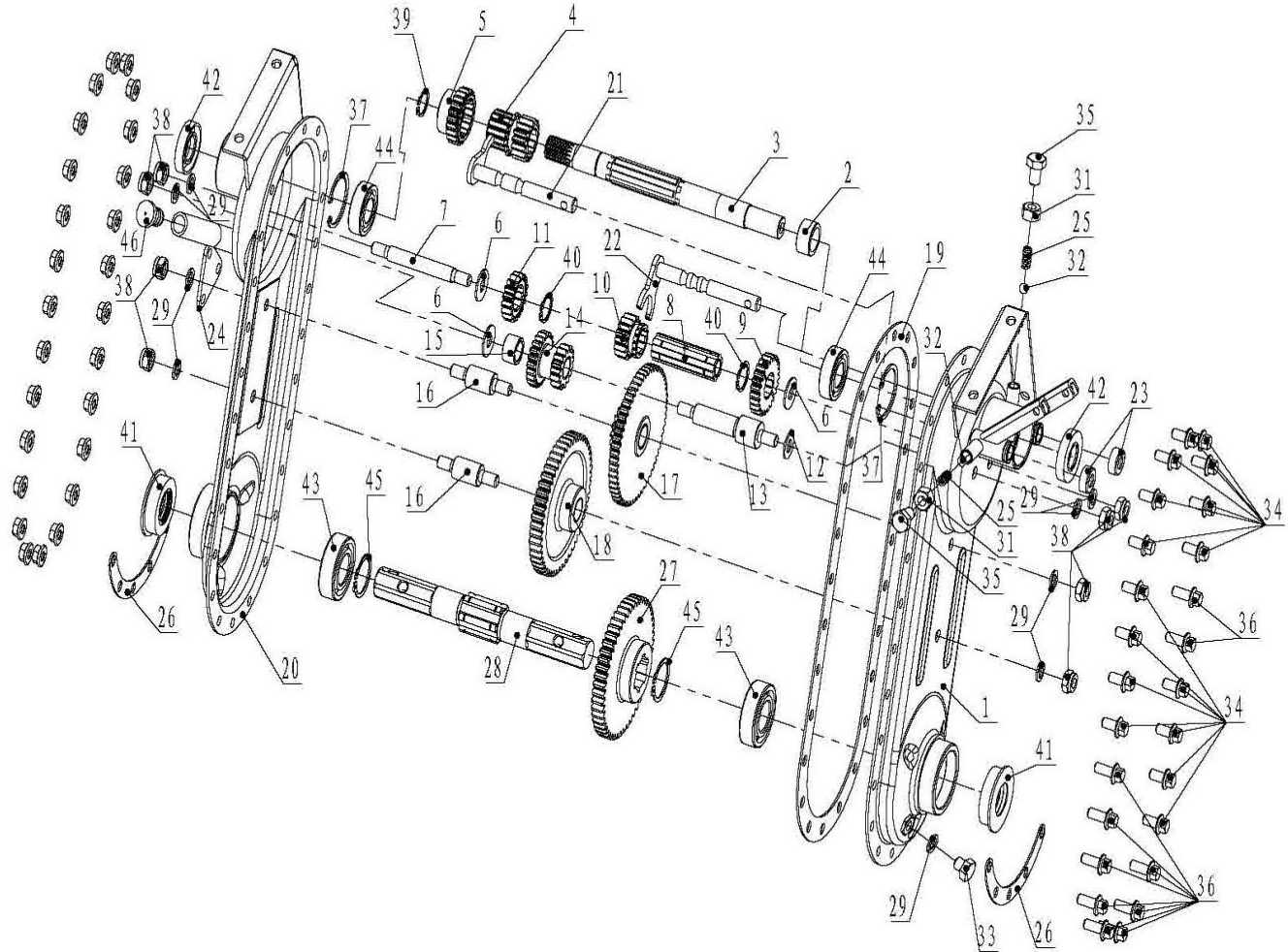




# MOTOCULTOR DUCATI DRTL2100 REF: DRTL3321

# P1

PAG	POS	REFERENCIAS	DESCRIPCION	CANT
P1	1	DRTL3321/P1/1	CARCASA TRANS. TRACC. IZQ DUCATI DRTL2100	1
P1	2	DRTL3321/P1/2	CASQUILLO EJE DUCATI DRTL2100	1
P1	3	DRTL3321/P1/3	EJE SUPERIOR TRACCION DUCATI DRTL2100	1
P1	4	DRTL3321/P1/4	PIÑON CORTAS DUCATI DRTL2100	1
P1	5	DRTL3321/P1/5	PIÑON LARGAS DUCATI DRTL2100	1
P1	6	DRTL3321/P1/6	ARANDELA AJUSTE DUCATI DRTL2100	3
P1	7	DRTL3321/P1/7	EJE CAMBIO DUCATI DRTL2100	1
P1	8	DRTL3321/P1/8	EJE ESTRIADO DUCATI DRTL2100	1
P1	9	DRTL3321/P1/9	EJE MARCHA CORTA DUCATI DRTL2100	1
P1	10	DRTL3321/P1/10	PIÑON CAMBIO DUCATI DRTL2100	1
P1	11	DRTL3321/P1/11	EJE MARCHA LARGA DUCATI DRTL2100	1
P1	12	DRTL3321/P1/12	ARANDELA AJUSTE DUCATI DRTL2100	1
P1	13	DRTL3321/P1/13	EJE REVERSA DUCATI DRTL2100	1
P1	14	DRTL3321/P1/14	PIÑON DOBLE DUCATI DRTL2100	1
P1	15	DRTL3321/P1/15	CASQUILLO PIÑON DOBLE DUCATI DRTL2100	1
P1	16	DRTL3321/P1/16	EJE INTERMEDIO DUCATI DRTL2100	2
P1	17	DRTL3321/P1/17	PIÑON TRANSMISION DUCATI DRTL2100	1
P1	18	DRTL3321/P1/18	ENGRANAJE TRANSMISION DUCATI DRTL2100	1
P1	19	DRTL3321/P1/19	JUNTA CARCASA DUCATI DRTL2100	1
P1	20	DRTL3321/P1/20	CARCASA TRANS. TRACC DRCH DUCATI DRTL2100	1
P1	21	DRTL3321/P1/21	EJE CAMBIO C/L DUCATI DRTL2100	1
P1	22	DRTL3321/P1/22	EJE CAMBIO DIRECCION DUCATI DRTL2100	1
P1	23	DRTL3321/P1/23	RETEN DUCATI DRTL2100	2
P1	24	DRTL3321/P1/24	PLACA TRIANGULAR DUCATI DRTL2100	1
P1	25	DRTL3321/P1/25	RESORTE BOLA DUCATI DRTL2100	2
P1	26	DRTL3321/P1/26	REFUERZO INFERIOR DUCATI DRTL2100	2
P1	27	DRTL3321/P1/27	PIÑON EJE SALIDA TRACCION DUCATI DRTL2100	1
P1	28	DRTL3321/P1/28	EJE SALIDA TRACCION DUCATI DRTL2100	1
P1	29	DRTL3321/P1/29	ARANDELA TAPON VACIADO TRACC DUCATI DRTL2100	9
P1	30	DRTL3321/P1/30	TUERCA M8 DUCATI DRTL2100	26
P1	31	DRTL3321/P1/31	TUERCA M10 DUCATI DRTL2100	2
P1	32	DRTL3321/P1/32	BOLA ACERO DUCATI DRTL2100	2
P1	33	DRTL3321/P1/33	TORNILLO M10*10 DUCATI DRTL2100	1
P1	34	DRTL3321/P1/34	TORNILLO M8*16 DUCATI DRTL2100	16
P1	35	DRTL3321/P1/35	TORNILLO M10*16 DUCATI DRTL2100	2
P1	36	DRTL3321/P1/36	TORNILLO M8*20 DUCATI DRTL2100	10
P1	37	DRTL3321/P1/37	GRUPILLA 42 DUCATI DRTL2100	2
P1	38	DRTL3321/P1/38	TUERCA M10 DUCATI DRTL2100	8
P1	39	DRTL3321/P1/39	GRUPILLA 20 DUCATI DRTL2100	1
P1	40	DRTL3321/P1/40	CLIP 22 DUCATI DRTL2100	2
P1	41	DRTL3321/P1/41	RETEN EJE SALIDA DRCH TRACCION DUCATI DRTL2100	2
P1	42	DRTL3321/P1/42	RETEN EJE SUPERIOR TRACCION DUCATI DRTL2100	2
P1	43	DRTL3321/P1/43	RODAMIENTO 6205 DUCATI DRTL2100	2
P1	44	DRTL3321/P1/44	RODAMIENTO 6004 DUCATI DRTL2100	2
P1	45	DRTL3321/P1/45	GRUPILLA 32 DUCATI DRTL2100	2
P1	46	DRTL3321/P1/46	TAPON LLENADO ACEITE DUCATI DRTL2100	1



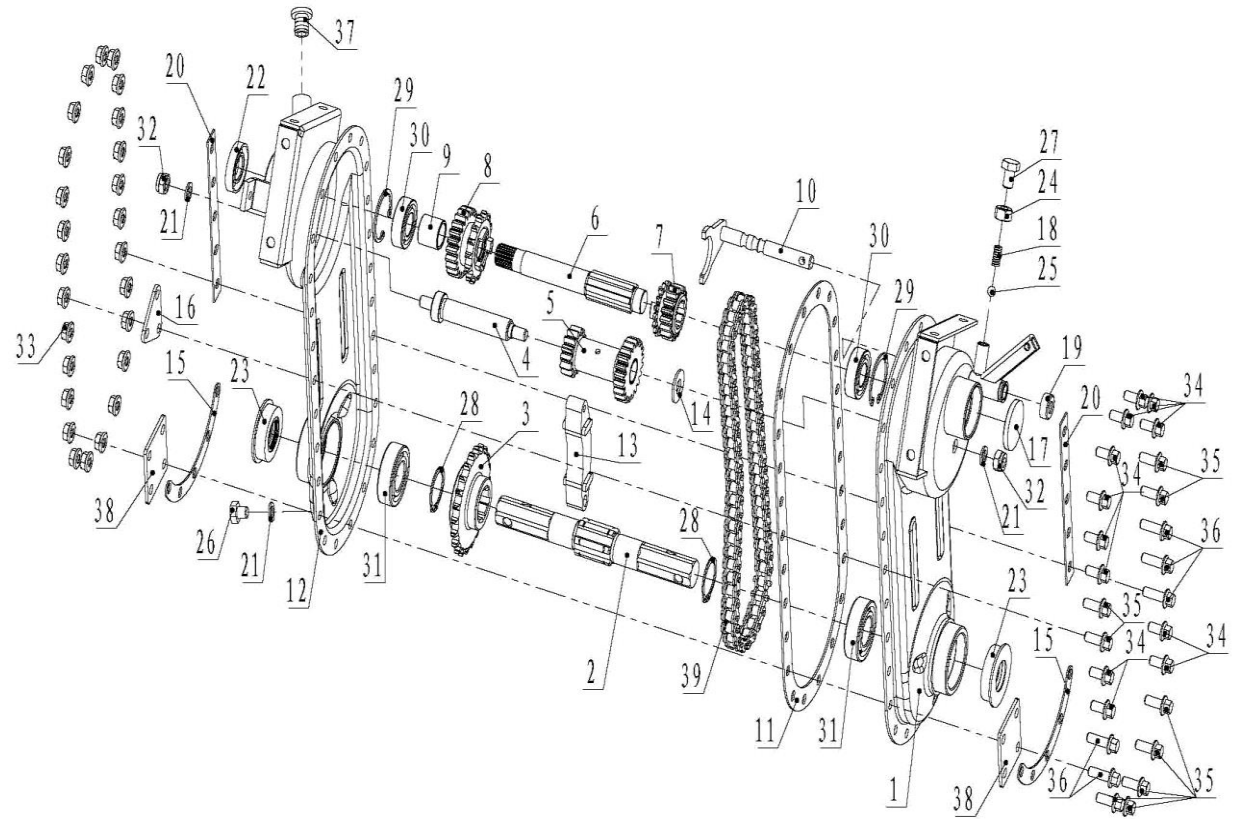
\*LA IMAGEN PUEDE NO CORRESPONDER EXACTAMENTE CON EL MODELO \*\* SUJETO A MODIFICACIONES

VERSION 5.0



P2

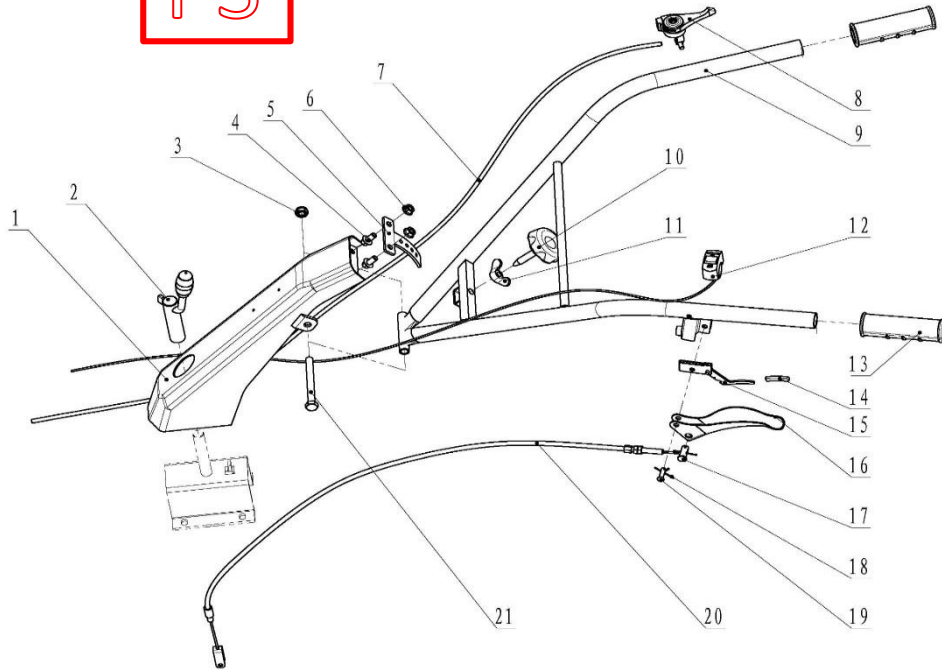
PAG	POS	REFERENCIAS	DESCRIPCION	CANT
P2	1	DRTL3321/P2/1	CARCASA TRANSMISION FRESAS IZQ DUCATI DRTL2100	1
P2	2	DRTL3321/P2/2	EJE SALIDA FRESAS DUCATI DRTL2100	1
P2	3	DRTL3321/P2/3	PIÑON CADENA SALIDA DUCATI DRTL2100	1
P2	4	DRTL3321/P2/4	EJE INTERMEDIO DUCATI DRTL2100	1
P2	5	DRTL3321/P2/5	PIÑON DOBLE DUCATI DRTL2100	1
P2	6	DRTL3321/P2/6	EJE SUPERIOR DUCATI DRTL2100	1
P2	7	DRTL3321/P2/7	PIÑON CAMBIO DUCATI DRTL2100	1
P2	8	DRTL3321/P2/8	PIÑON CAMBIO DIRECCION DUCATI DRTL2100	1
P2	9	DRTL3321/P2/9	CASQUILLO DUCATI DRTL2100	1
P2	10	DRTL3321/P2/10	HORQUILLA CAMBIO DUCATI DRTL2100	1
P2	11	DRTL3321/P2/11	JUNTA CARCASA TRANSMISION FRESAS DUCATI DRTL2100	1
P2	12	DRTL3321/P2/12	CARCASA TRANSMISION FRESAS DRCH DUCATI DRTL2100	1
P2	13	DRTL3321/P2/13	FLEJE TENSOR CADENA DUCATI DRTL2100	1
P2	14	DRTL3321/P2/14	ARANDELA AJUSTE DUCATI DRTL2100	1
P2	15	DRTL3321/P2/15	REFUERZO TRANSMISION FRESA DUCATI DRTL2100	2
P2	16	DRTL3321/P2/16	PLACA TRIANGULAR DUCATI DRTL2100	1
P2	17	DRTL3321/P2/17	TAPON RETEN DUCATI DRTL2100	1
P2	18	DRTL3321/P2/18	RESORTE BOLA CAMBIO DUCATI DRTL2100	1
P2	19	DRTL3321/P2/19	RETEN EJE CAMBIO DUCATI DRTL2100	1
P2	20	DRTL3321/P2/20	BARRA DUCATI DRTL2100	2
P2	21	DRTL3321/P2/21	ARANDELA TAPON VACIADO CARCASA FRESA DUCATI DRTL2100	3
P2	22	DRTL3321/P2/22	RETEN DUCATI DRTL2100	1
P2	23	DRTL3321/P2/23	RETEN EJE SALIDA FRESAS DUCATI DRTL2100	2
P2	24	DRTL3321/P2/24	TUERCA M10 DUCATI DRTL2100	1
P2	25	DRTL3321/P2/25	BOLA ACERO DUCATI DRTL2100	1
P2	26	DRTL3321/P2/26	TORNILLO M10*10 DUCATI DRTL2100	1
P2	27	DRTL3321/P2/27	TORNILLO M10*16 DUCATI DRTL2100	1
P2	28	DRTL3321/P2/28	GRUPILLA 32 DUCATI DRTL2100	2
P2	29	DRTL3321/P2/29	CLIP 42 DUCATI DRTL2100	2
P2	30	DRTL3321/P2/30	RODAMIENTO 6004 DUCATI DRTL2100	2
P2	31	DRTL3321/P2/31	RODAMIENTO 6205 DUCATI DRTL2100	2
P2	32	DRTL3321/P2/32	TUERCA M10 DUCATI DRTL2100	2
P2	33	DRTL3321/P2/33	TUERCA M8 DUCATI DRTL2100	28
P2	34	DRTL3321/P2/34	TORNILLO M8*16 DUCATI DRTL2100	12
P2	35	DRTL3321/P2/35	TORNILLO M8/20 DUCATI DRTL2100	9
P2	36	DRTL3321/P2/36	TORNILLO M8*25 DUCATI DRTL2100	5
P2	37	DRTL3321/P2/37	TAPON LLENADO ACEITE TRANSMISION FRESA DUCATI DRTL2100	1
P2	38	DRTL3321/P2/38	PLACA CUADRADA DUCATI DRTL2100	2
P2	39	DRTL3321/P2/39	CADENA TRANSMISION DUCATI DRTL2100	1



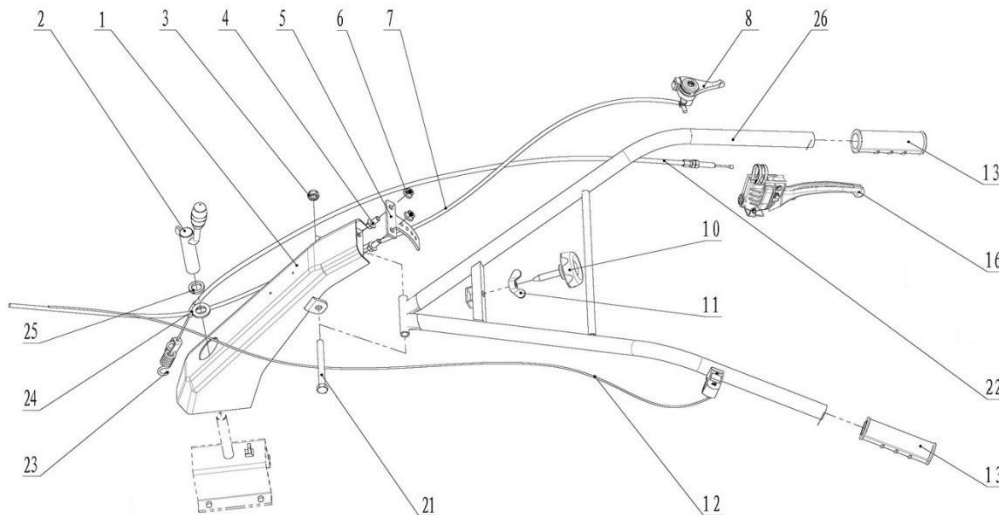


# MOTOCULTOR DUCATI DRTL2100 REF: DRTL3321

## P3

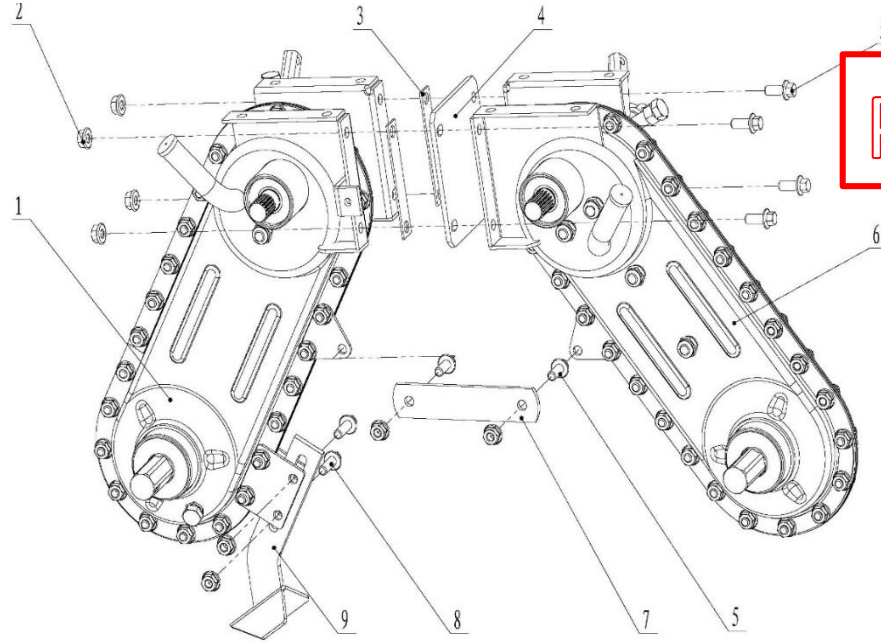


ATENCIÓN, 2 VERSIONES DE MANILLAR

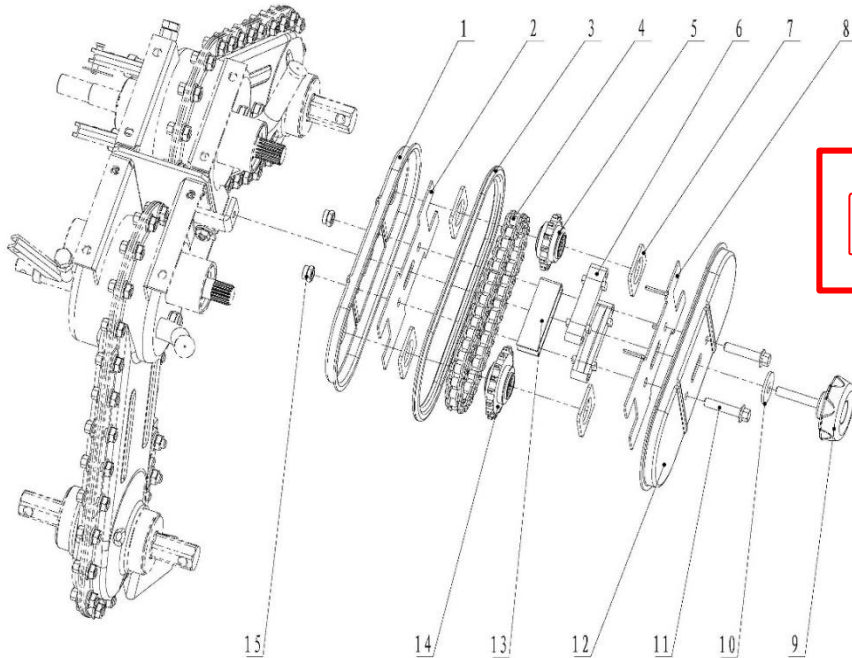


PAG	POS	REFERENCIAS	DESCRIPCION	CANT
P3	1	DRTL3321/P3/1	MANILLAR INFERIOR DUCATI DRTL2100	1
P3	2	DRTL3321/P3/2	POMO APRIETE MANILLAR INFERIOR DUCATI DRTL2100	1
P3	3	DRTL3321/P3/3	TUERCA M10 DUCATI DRTL2100	1
P3	4	DRTL3321/P3/4	TORNILLO M8*16 DUCATI DRTL2100	2
P3	5	DRTL3321/P3/5	PLACA LIMITE DUCATI DRTL2100	1
P3	6	DRTL3321/P3/6	TUERCA M8 DUCATI DRTL2100	2
P3	7	DRTL3321/P3/7	CABLE ACELERADOR DUCATI DRTL2100	1
P3	8	DRTL3321/P3/8	MANDO ACELERADOR DUCATI DRTL2100	1
P3	9	DRTL3321/P3/9	MANILLAR SUPERIOR DUCATI DRTL2100	1
P3	10	DRTL3321/P3/10	POMO AJUSTE MANILLAR SUPERIOR DUCATI DRTL2100	1
P3	11	DRTL3321/P3/11	TUERCA PALOMILLA M10 DUCATI DRTL2100	1
P3	12	DRTL3321/P3/12	INTERRUPTOR ON/OFF DUCATI DRTL2100	1
P3	13	DRTL3321/P3/13	EMPUÑADURA MANILLAR DUCATI DRTL2100	2
P3	14	DRTL3321/P3/14	GOMA SEGURO DUCATI DRTL2100	1
P3	15	DRTL3321/P3/15	SEGURO COMPLETO DUCATI DRTL2100	1
P3	16	DRTL3321/P3/16	MANETA EMBRAGUE DUCATI DRTL2100	1
P3	16	DRTL3321/P3/162	MANETA EMBRAGUE v2 DUCATI DRTL2100	1
P3	17	DRTL3321/P3/17	PRISIONERO CABLE DUCATI DRTL2100	1
P3	18	DRTL3321/P3/18	PIN 1,6*25 DUCATI DRTL2100	2
P3	19	DRTL3321/P3/19	PIN 6*22 DUCATI DRTL2100	1
P3	20	DRTL3321/P3/20	CABLE EMBRAGUE DUCATI DRTL2100	1
P3	21	DRTL3321/P3/21	TORNILLO M10*100 DUCATI DRTL2100	1
P3	22	DRTL3321/P3/22	CABLE EMBRAGUE V.2 DUCATI DRTL2100	1
P3	23	DRTL3321/P3/23	MUELLE CABLE EMBRAGUE V.2 DUCATI DRTL2100	1
P3	24	DRTL3321/P3/24	ARANDELA ELASTICA 16 DUCATI DRTL2100	1
P3	25	DRTL3321/P3/25	ARANDELA ANCHA 16 DUCATI DRTL2100	1
P3	26	DRTL3321/P3/26	MANILLAR SUPERIOR DUCATI DRTL2100	1





P4

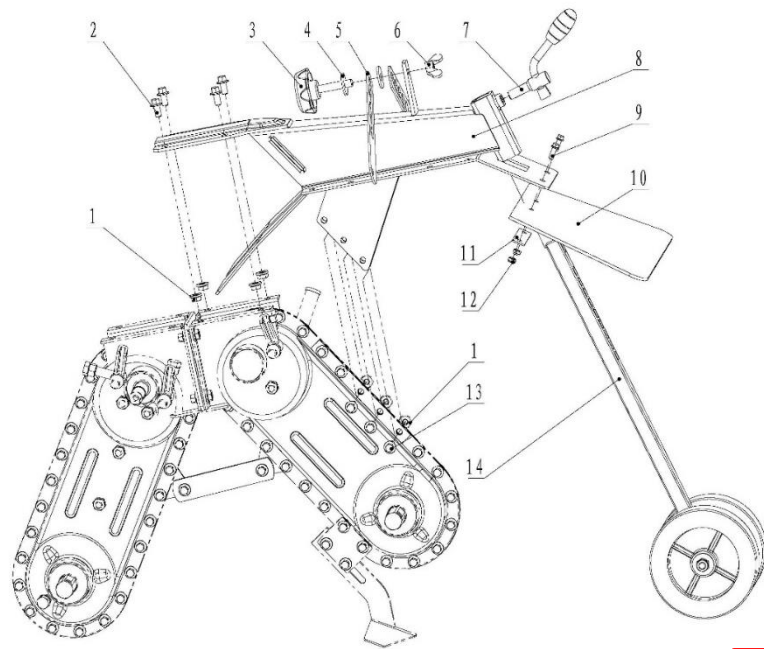


P5

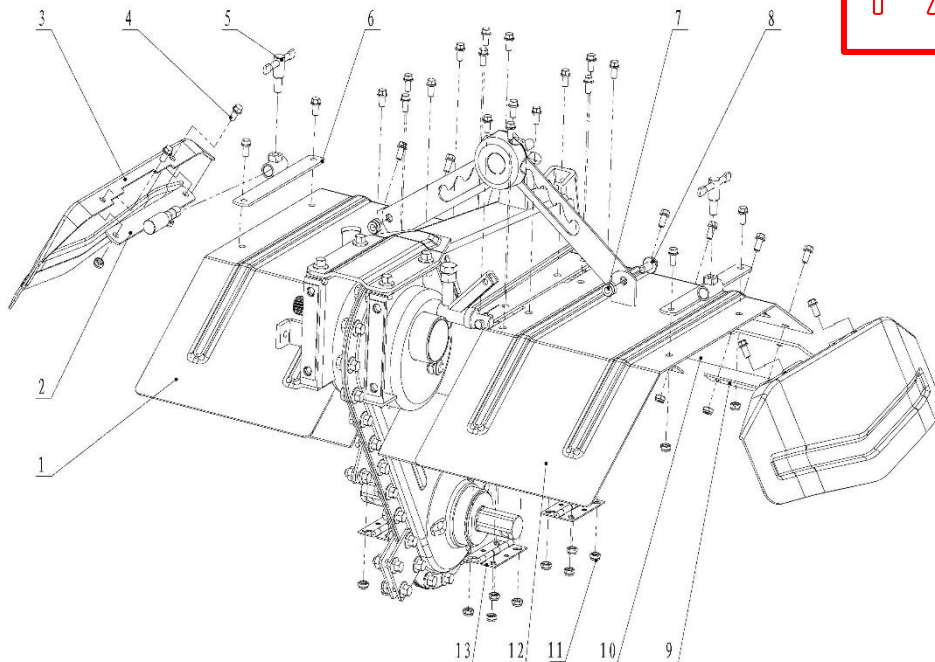
PAG	POS	REFERENCIAS	DESCRIPCION	CANT
P4	1	DRTL3321/P4/1	TRANSMISION FRESAS COMPLETA DUCATI DRTL2100	1
P4	2	DRTL3321/P4/2	TUERCA M8 DUCATI DRTL2100	8
P4	3	DRTL3321/P4/3	BARRA UNION DUCATI DRTL2100	2
P4	4	DRTL3321/P4/4	PLACA UNION DUCATI DRTL2100	1
P4	5	DRTL3321/P4/5	TORNILLO M8*20 DUCATI DRTL2100	6
P4	6	DRTL3321/P4/6	TRANSMISION TRACCION COMPLETA DUCATI DRTL2100	1
P4	7	DRTL3321/P4/7	PLACA UNION INFERIOR DUCATI DRTL2100	1
P4	8	DRTL3321/P4/8	TORNILLO M8*25 DUCATI DRTL2100	2
P4	9	DRTL3321/P4/9	ESPUELA REGULABLE DUCATI DRTL2100	1
PAG	POS	REFERENCIAS	DESCRIPCION	CANT
P5	1	DRTL3321/P5/1	TAPA IZQ DUCATI DRTL2100	1
P5	2	DRTL3321/P5/2	CHAPA SOPORTE 2 DUCATI DRTL2100	1
P5	3	DRTL3321/P5/3	JUNTA TAPA CADENA DUCATI DRTL2100	1
P5	4	DRTL3321/P5/4	CADENA DUCATI DRTL2100	1
P5	5	DRTL3321/P5/5	PIÑON CADENA DUCATI DRTL2100	1
P5	6	DRTL3321/P5/6	FLEJE TENSOR DUCATI DRTL2100	2
P5	7	DRTL3321/P5/7	CHAPA AJUSTE DUCATI DRTL2100	4
P5	8	DRTL3321/P5/8	CHAPA SOPORTE 1 DUCATI DRTL2100	1
P5	9	DRTL3321/P5/9	POMO TAPA DUCATI DRTL2100	1
P5	10	DRTL3321/P5/10	ARANDELA DUCATI DRTL2100	1
P5	11	DRTL3321/P5/11	TORNILLO M8*40 DUCATI DRTL2100	2
P5	12	DRTL3321/P5/12	TAPA DRCH DUCATI DRTL2100	1
P5	13	DRTL3321/P5/13	SOPORTE DUCATI DRTL2100	1
P5	14	DRTL3321/P5/14	PIÑON CADENA GRANDE DUCATI DRTL2100	1
P5	15	DRTL3321/P5/15	TUERCA M8 DUCATI DRTL2100	2



# MOTOCULTOR DUCATI DRTL2100 REF: DRTL3321



P6

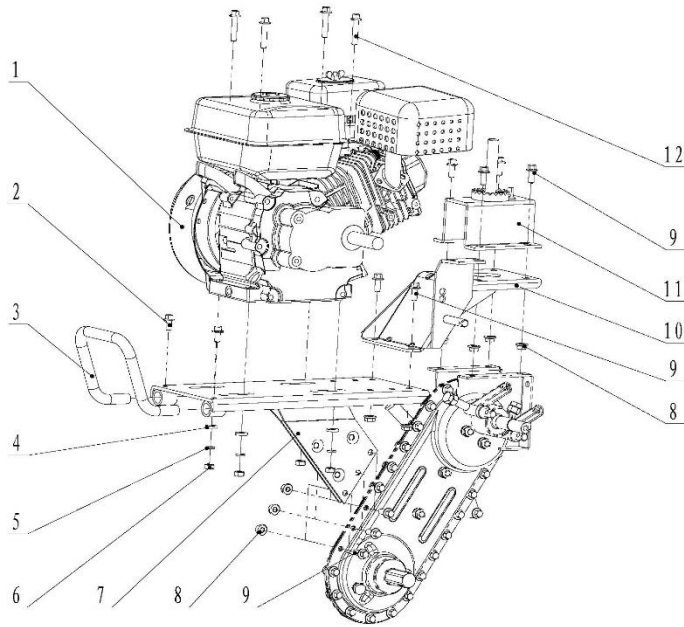


P7

PAG	POS	REFERENCIAS	DESCRIPCION	CANT
P6	1	DRTL3321/P6/1	TUERCA M8 DUCATI DRTL2100	7
P6	2	DRTL3321/P6/2	TORNILLO M8*16 DUCATI DRTL2100	4
P6	3	DRTL3321/P6/3	POMO AJUSTE DUCATI DRTL2100	1
P6	4	DRTL3321/P6/4	ARANDELA DUCATI DRTL2100	2
P6	5	DRTL3321/P6/5	TOPE AJUSTE DUCATI DRTL2100	2
P6	6	DRTL3321/P6/6	TUERCA PALOMILLA M10 DUCATI DRTL2100	1
P6	7	DRTL3321/P6/7	POMO APRIETE DUCATI DRTL2100	1
P6	8	DRTL3321/P6/8	BARRA RUEDA TRASERA DUCATI DRTL2100	1
P6	9	DRTL3321/P6/9	TORNILLO M6*16 DUCATI DRTL2100	2
P6	10	DRTL3321/P6/10	FALDILLA GOMA DUCATI DRTL2100	1
P6	11	DRTL3321/P6/11	PLACA PRESION GOMA DUCATI DRTL2100	1
P6	12	DRTL3321/P6/12	TUERCA M6 DUCATI DRTL2100	2
P6	13	DRTL3321/P6/13	TORNILLO M8*25 DUCATI DRTL2100	3
P6	14	DRTL3321/P6/14	RUEDA TRASERA DUCATI DRTL2100	1
PAG	POS	REFERENCIAS	DESCRIPCION	CANT
P7	1	DRTL3321/P7/1	GUARDABARRO DRCH DUCATI DRTL2100	1
P7	2	DRTL3321/P7/2	SOPORTE GUARDABARROS DRCH DUCATI DRTL2100	2
P7	3	DRTL3321/P7/3	ALETA GUARDABARRO DRCH DUCATI DRTL2100	2
P7	4	DRTL3321/P7/4	TORNILLO M6*12 DUCATI DRTL2100	32
P7	5	DRTL3321/P7/5	TORNILLO APRITE GUARDABARROS DUCATI DRTL2100	2
P7	6	DRTL3321/P7/6	SOPORTE GUARDABARROS IZQ DUCATI DRTL2100	2
P7	7	DRTL3321/P7/7	TUERCA M8 DUCATI DRTL2100	2
P7	8	DRTL3321/P7/8	TORNILLO M8*16 DUCATI DRTL2100	2
P7	9	DRTL3321/P7/9	BARRA PRESION DUCATI DRTL2100	4
P7	10	DRTL3321/P7/10	FALDILLA GOMA DUCATI DRTL2100	2
P7	11	DRTL3321/P7/11	TUERCA M6 DUCATI DRTL2100	32
P7	12	DRTL3321/P7/12	GUARDABARROS IZQ DUCATI DRTL2100	1
P7	13	DRTL3321/P7/13	BISAGRA DUCATI DRTL2100	4

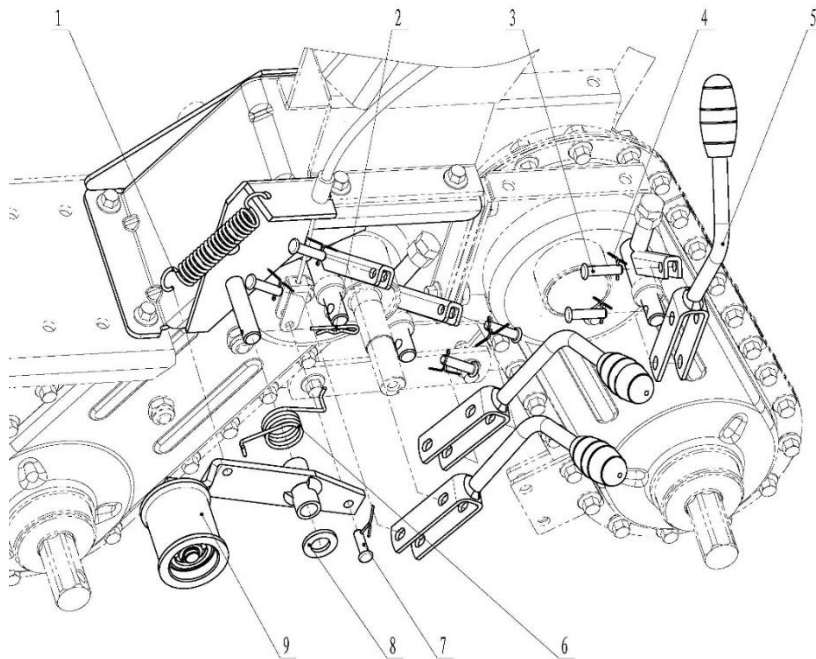


# MOTOCULTOR DUCATI DRTL2100 REF: DRTL3321



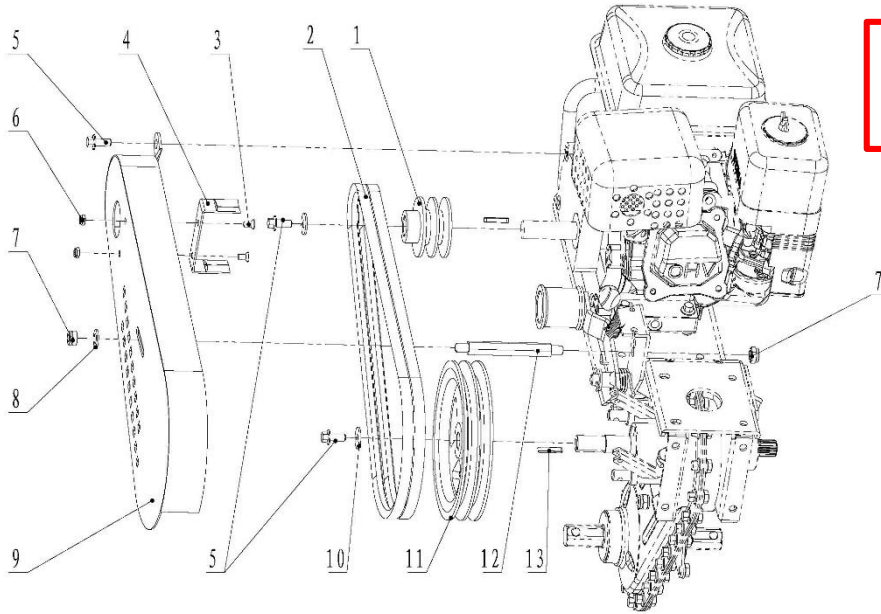
P8

PAG	POS	REFERENCIAS	DESCRIPCION	CANT
P8	1	DRTL3321/P8/1	MOTOR COMPLETO DUCATI DRTL2100	1
P8	2	DRTL3321/P8/2	TORNILLO M8*16 DUCATI DRTL2100	2
P8	3	DRTL3321/P8/3	PARAGOLPES DUCATI DRTL2100	1
P8	4	DRTL3321/P8/4	ARANDELA DUCATI DRTL2100	4
P8	5	DRTL3321/P8/5	ARANDELA ELASTICA DUCATI DRTL2100	4
P8	6	DRTL3321/P8/6	TUERCA M8 DUCATI DRTL2100	4
P8	7	DRTL3321/P8/7	SOPORTE MOTOR DUCATI DRTL2100	1
P8	8	DRTL3321/P8/8	TUERCA M8 DUCATI DRTL2100	3
P8	9	DRTL3321/P8/9	TORNILLO M8*20 DUCATI DRTL2100	9
P8	10	DRTL3321/P8/10	SOPORTE INFERIOR MANILLAR DUCATI DRTL2100	1
P8	11	DRTL3321/P8/11	SOPORTE REGULABLE MANILLAR DUCATI DRTL2100	1
P8	12	DRTL3321/P8/12	TORNILLO M8*40 DUCATI DRTL2100	4
PAG	POS	REFERENCIAS	DESCRIPCION	CANT
P9	1	DRTL3321/P9/1	MUELLE TENSION DUCATI DRTL2100	1
P9	2	DRTL3321/P9/2	CLIP DUCATI DRTL2100	1
P9	3	DRTL3321/P9/3	PASADOR DUCATI DRTL2100	6
P9	4	DRTL3321/P9/4	PASADOR ALETA DUCATI DRTL2100	7
P9	5	DRTL3321/P9/5	PALANCA CAMBIO DUCATI DRTL2100	3
P9	6	DRTL3321/P9/6	RESORTE POLEA TENSORA DUCATI DRTL2100	1
P9	7	DRTL3321/P9/7	PASADOR DUCATI DRTL2100	1
P9	8	DRTL3321/P9/8	ARANDELA DUCATI DRTL2100	1
P9	9	DRTL3321/P9/9	POLEA TENSORA COMPLETA DUCATI DRTL2100	1



P9

P10

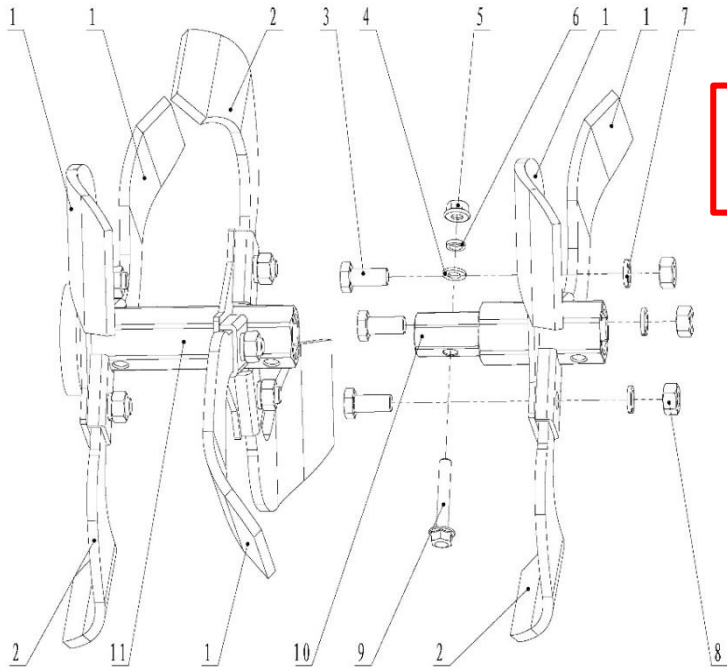


PAG	POS	REFERNCIAS	DESCRIPCION	CANT
P10	1	DRTL3321/P10/1	POLEA MOTOR DUCATI DRTL2100	1
P10	2	DRTL3321/P10/2	CORREA DUCATI DRTL2100	2
P10	3	DRTL3321/P10/3	TORNILLO M6*12 DUCATI DRTL2100	2
P10	4	DRTL3321/P10/4	LIMITADOR CORREA DUCATI DRTL2100	1
P10	5	DRTL3321/P10/5	TORNILLO M8*20 DUCATI DRTL2100	3
P10	6	DRTL3321/P10/6	TUERCA M6 DUCATI DRTL2100	2
P10	7	DRTL3321/P10/7	TUERCA M10 DUCATI DRTL2100	2
P10	8	DRTL3321/P10/8	ARANDELA 10 DUCATI DRTL2100	1
P10	9	DRTL3321/P10/9	TAPA CORREA DUCATI DRTL2100	1
P10	10	DRTL3321/P10/10	ARANDELA 8 DUCATI DRTL2100	2
P10	11	DRTL3321/P10/11	POLEA MOTOR DUCATI DRTL2100	1
P10	12	DRTL3321/P10/12	EJE SUJECCION TAPA DUCATI DRTL2100	1
P10	13	DRTL3321/P10/13	CHAVETA DUCATI DRTL2100	2

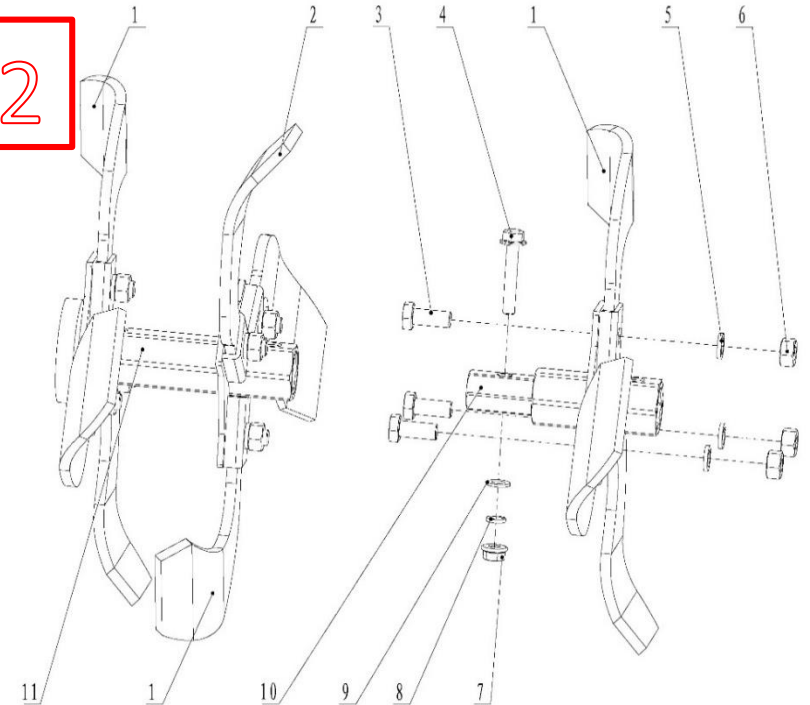




# MOTOCULTOR DUCATI DRTL2100 REF: DRTL3321



P11



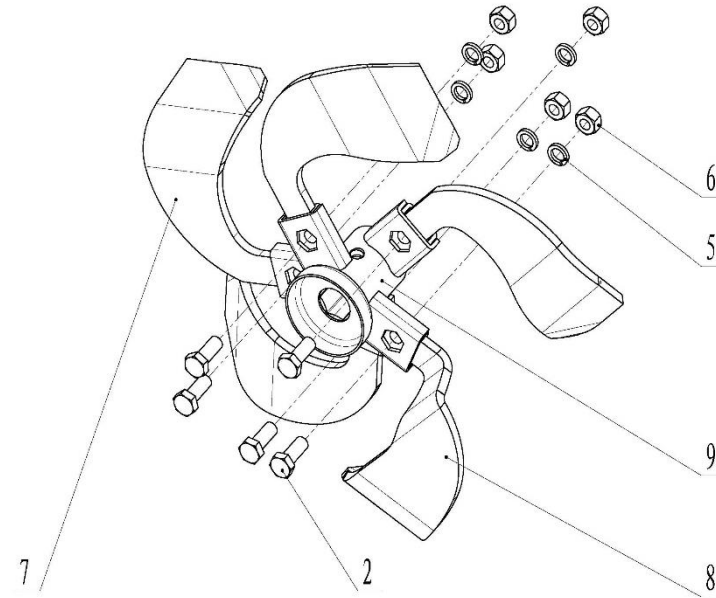
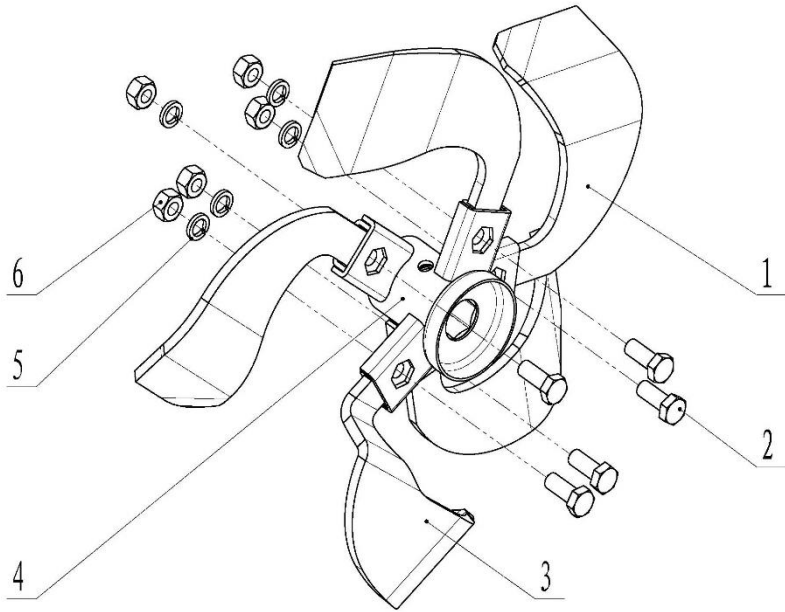
P12

PAG	POS	REFERENCIAS	DESCRIPCION	CANT
P11	1	DRTL3321/P11/1	CUCHILLA DRCH DUCATI DRTL2100	6
P11	2	DRTL3321/P11/2	CUCHILLA IZQ DUCATI DRTL2100	3
P11	3	DRTL3321/P11/3	TORNILLO M10*25 DUCATI DRTL2100	9
P11	4	DRTL3321/P11/4	ARANDELA 8 DUCATI DRTL2100	1
P11	5	DRTL3321/P11/5	TUERCA 8 DUCATI DRTL2100	1
P11	6	DRTL3321/P11/6	ARANDELA ELASTICA 8 DUCATI DRTL2100	1
P11	7	DRTL3321/P11/7	ARANDELA ELASTICA 10 DUCATI DRTL2100	9
P11	8	DRTL3321/P11/8	TUERCA 10 DUCATI DRTL2100	9
P11	9	DRTL3321/P11/9	TORNILLO M8*40 DUCATI DRTL2100	9
P11	10	DRTL3321/P11/10	SOPORTE CUCHILLA INTERIOR DUCATI DRTL2100	1
P11	11	DRTL3321/P11/11	SOPORTE CUCHILLA EXTERIO DUCATI DRTL2100	1

PAG	POS	REFERENCIAS	DESCRIPCION	CANT
P12	1	DRTL3321/P12/1	CUCHILLA DRCH DUCATI DRTL2100	3
P12	2	DRTL3321/P12/2	CUHILLA IZQ DUCATI DRTL2100	6
P12	3	DRTL3321/P12/3	TORNILLO M10*25 DUCATI DRTL2100	9
P12	4	DRTL3321/P12/4	TORNILLO M*40 DUCATI DRTL2100	1
P12	5	DRTL3321/P12/5	ARANDELA ELASTICA 10 DUCATI DRTL2100	9
P12	6	DRTL3321/P12/6	TUERCA 10 DUCATI DRTL2100	9
P12	7	DRTL3321/P12/7	TUERCA 8 DUCATI DRTL2100	1
P12	8	DRTL3321/P12/8	ARANDELA ELASTICA 8 DUCATI DRTL2100	1
P12	9	DRTL3321/P12/9	ARANDELA 8 DUCATI DRTL2100	1
P12	10	DRTL3321/P12/10	SOPORTE CUCHILLA EXTERIO DUCATI DRTL2100	1
P12	11	DRTL3321/P12/11	SOPORTE CUCHILLA INTERIOR DUCATI DRTL2100	1



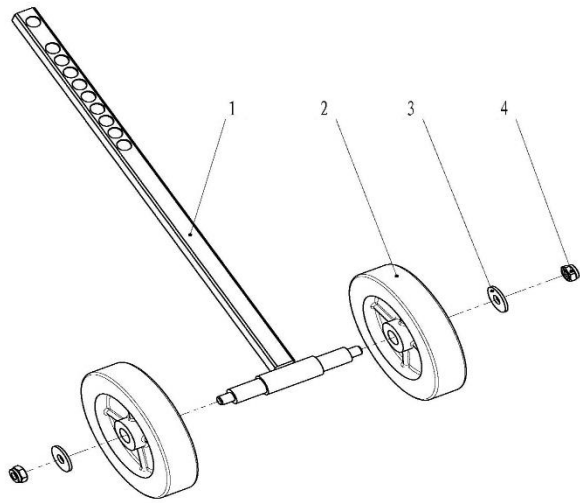
P13



PAG	POS	REFERENCIAS	DESCRIPCION	CANT
P13	1	DRTL3321/P13/1	CUCHILLA PLANA IZQ ABREZANJA DUCATI DRTL2100	4
P13	2	DRTL3321/P13/2	TORNILLO M10*25 DUCATI DRTL2100	10
P13	3	DRTL3321/P13/3	CUCHILLA CURVA IZQ ABREZANJA DUCATI DRTL2100	1
P13	4	DRTL3321/P13/4	SOPORTE CUCHILLA IZQ ABREZANJA DUCATI DRTL2100	1
P13	5	DRTL3321/P13/5	ARANDELA ELASTICA 10 DUCATI DRTL2100	10
P13	6	DRTL3321/P13/6	TUERCA M10 DUCATI DRTL2100	10
P13	7	DRTL3321/P13/7	CUCHILLA PLANA DRCH ABREZANJA DUCATI DRTL2100	4
P13	8	DRTL3321/P13/8	CUCHILLA CURVA DRCH ABREZANJA DUCATI DRTL2100	1
P13	9	DRTL3321/P13/9	SOPORTE CUCHILLA DRCH ABREZANJA DUCATI DRTL2100	1



# MOTOCULTOR DUCATI DRTL2100 REF: DRTL3321

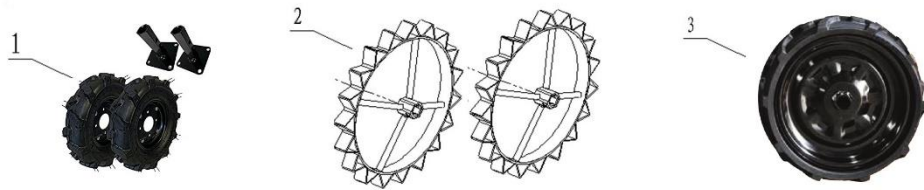


P14

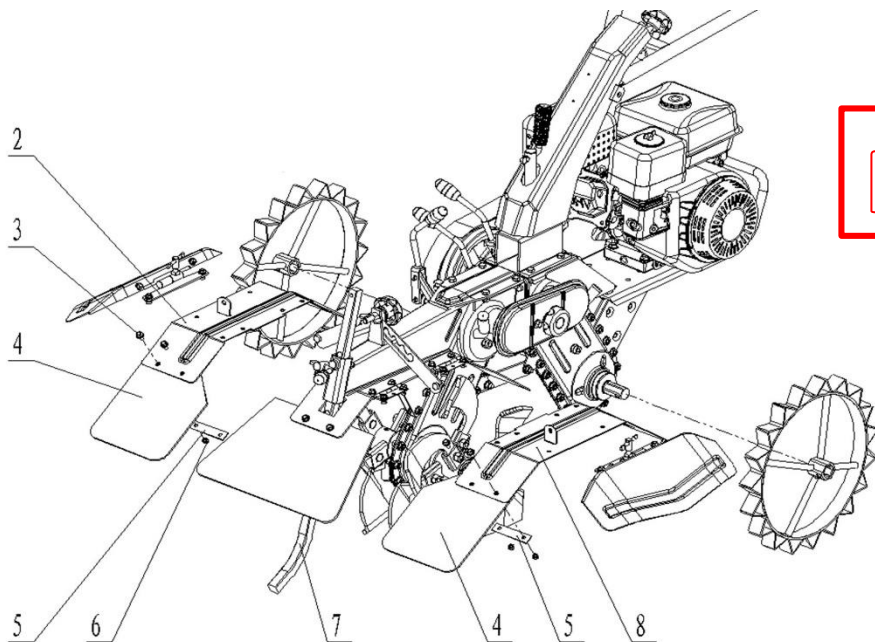
PAG	POS	REFERENCIAS	DESCRIPCION	CANT
P14	1	DRTL3321/P14/1	SOPORTE RUEDAS DUCATI DRTL2100	1
P14	2	DRTL3321/P14/2	RUEDA DUCATI DRTL2100	2
P14	3	DRTL3321/P14/3	ARANDELA DUCATI DRTL2100	2
P14	4	DRTL3321/P14/4	TUERCA M10 DUCATI DRTL2100	2

P15

PAG	POS	REFERENCIAS	DESCRIPCION	CANT
P15	1	DRTL3321/P15/1	RUEDA NEUMATICO DUCATI DRTL2100	1
P15	2	DRTL3321/P15/2	RUEDAS METALICAS DUCATI DRTL2100	1
P15	3	DRTL3321/P15/3	RUEDAS SOLIDAS(IZQ Y DRCH) MOTOCULTOR MULTIFUNCION DUCATI	1



PAG	POS	REFERENCIAS	DESCRIPCION	CANT
P16	2	DRTL3321/P16/2	GUARDABARROS IZQ ESTRECHO DUCATI DRTL2100	1
P16	3	DRTL3321/P16/3	TORNILLO 6X12 DUCATI DRTL2100	4
P16	4	DRTL3321/P16/4	FALDILLA GOMA DUCATI DRTL2100	2
P16	5	DRTL3321/P16/5	CHAPA PRESION DUCATI DRTL2100	2
P16	6	DRTL3321/P16/6	TUERCA FRENIO 6 DUCATI DRTL2100	4
P16	7	DRTL3321/P16/7	BARRA TIMON PROFUNDIDAD DUCATI DRTL2100	1
P16	8	DRTL3321/P16/8	GUARDABARROS DRCH ESTRECHO DUCATI DRTL2100	1



P16

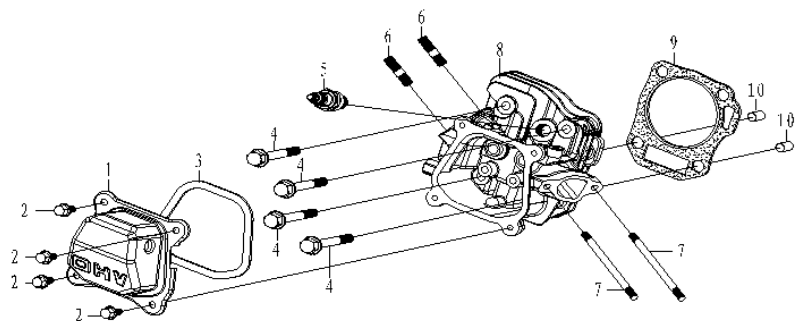
\*LA IMAGEN PUEDE NO CORRESPONDER EXACTAMENTE CON EL MODELO \*\* SUJETO A MODIFICACIONES

VERSION 5.0



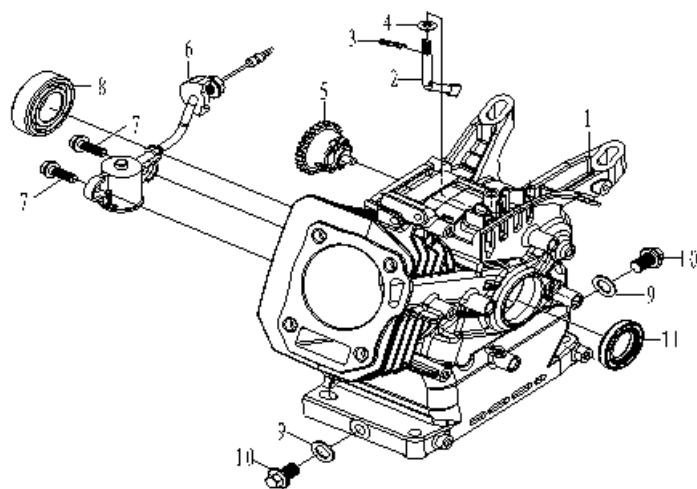
# MOTOR 7HP DTL7000 REF: DRTL2100

P1



PAG	POS	REFERENCIA	DESCRIPCION	CANT
P1	1	DTL287000M/P1/1	TAPA VALVULAS DTL7000/9000	1
P1	2	DTL287000M/P1/2	TORNILLO M6X16 DTL7000/9000	4
P1	3	DTL287000M/P1/3	JUNTA TAPA VALVULAS DTL7000/9000	1
P1	4	DTL287000M/P1/4	TORNILLO M8X60 DTL7000/9000	4
P1	5	DTL287000M/P1/5	BUJIA DTL7000/9000	1
P1	6	DTL287000M/P1/6	ESPARRAGO M8X35 DTL7000/9000	1
P1	7	DTL287000M/P1/7	ESPARRAGO M6X113 DTL7000/9000	1
P1	8	DTL287000M/P1/8	CULATA DTL7000/9000	1
P1	9	DTL287000M/P1/9	JUNTA CULATA DTL7000/9000	1
P1	10	DTL287000M/P1/10	CASQUILLO CULATA 10X16 DTL7000/9000	2

P2

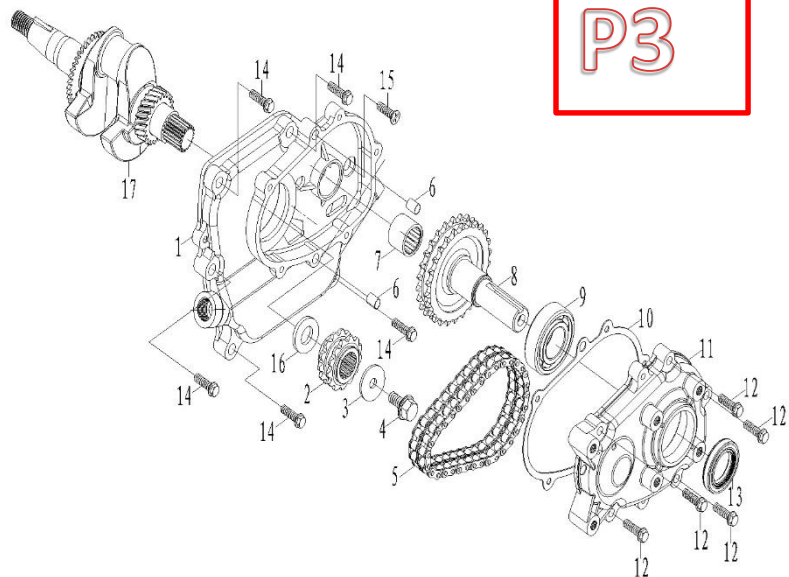


PAG	POS	REFERENCIA	DESCRIPCION	CANT
P2	1	DTL287000M/P2/1	CILINDRO DTL7000/9000	1
P2	2	DTL287000M/P2/2	VARILLA REGULADORA DTL7000/9000	1
P2	3	DTL287000M/P2/3	CLIP VARILLA DTL7000/9000	1
P2	4	DTL287000M/P2/4	ARANDELA 6X13X1 DTL7000/9000	1
P2	5	DTL287000M/P2/5	REGULADOR GAS DTL7000/9000	1
P2	6	DTL287000M/P2/6	ALARMA NIVEL DTL7000/9000	1
P2	7	DTL287000M/P2/7	TORNILLO M6X16 DTL7000/9000	2
P2	8	DTL287000M/P2/8	RODAMIENTO CIGÜEÑAL DTL7000/9000	1
P2	9	DTL287000M/P2/9	ARANDELA TAPON VACIADO DTL7000/9000	2
P2	10	DTL287000M/P2/10	TAPON VACIADO CARTER DTL7000/9000	2
P2	11	DTL287000M/P2/11	RETEN CIGÜEÑAL DTL7000/9000	1

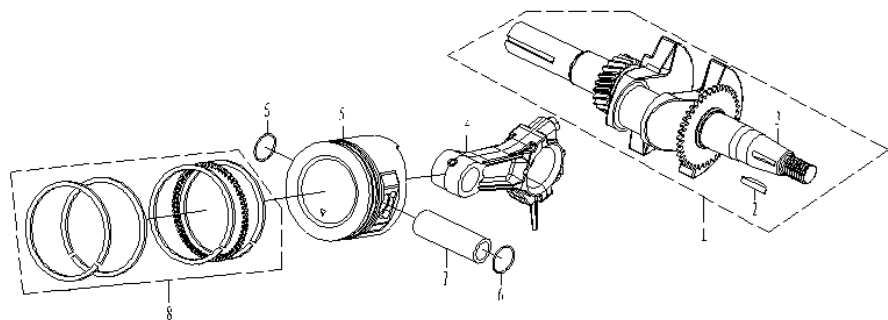


# MOTOR 7HP DTL7000 REF: DRTL2100

## P3



PAG	POS	REFERENCIA	DESCRIPCION	CANT
P3	1	DRTL3321M/P3/1	TAPA CARTER REDUCTORA DRTL2100	1
P3	2	DRTL3321M/P3/2	PIÑON SALIDA CIGÜEÑAL DRTL2100	1
P3	3	DRTL3321M/P3/3	ARANDELA 8X28X3 DRTL2100	1
P3	4	DRTL3321M/P3/4	TORNILLO 8X30 DRTL2100	1
P3	5	DRTL3321M/P3/5	CADENA REDUCTORA DRTL2100	1
P3	6	DTL287000M/P3/11	CASQUILLO TAPA CARTER DTL 7000M/DRTL2100	2
P3	7	DRTL3321M/P3/7	JAULA AGUJAS DRTL2100	1
P3	8	DRTL3321M/P3/8	EJE SALIDA REDUCTORA DRTL2100	1
P3	9	DTL287000M/P2/8	RODAMIENTO CIGÜEÑAL DTL 7000M DRTL2100	1
P3	10	DRTL3321M/P3/10	JUNTA REDUCTORA DRTL2100	1
P3	11	DRTL3321M/P3/11	TAPA REDUCTORA DRTL2100	1
P3	12	DTL287000M/P11/4	TORNILLO M6X22 DTL 7000M/DRTL2100	5
P3	13	DTL287000M/P2/11	RETEN CIGÜEÑAL DTL 7000M/DRTL2100	1
P3	14	DTL287000M/P3/5	TORNILLO M8X32 DTL 7000M/DRTL2100	5
P3	15	DRTL3321M/P3/15	TORNILLO 8X25 DRTL2100	1
P3	16	DRTL3321M/P3/16	ARANDELA 20.5X39X3 DRTL2100	1
P3	17	DRTL3321M/P3/17	CIGÜEÑAL ESTRIADO DRTL2100	1



## P4

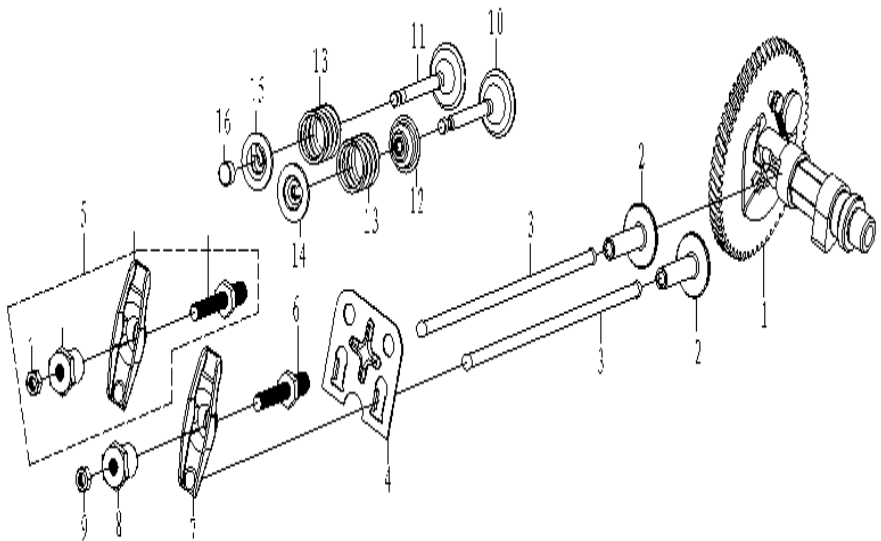
PAG	POS	REFERENCIA	DESCRIPCION	CANT
P4	1	PAGINA 3 POS 17		1
P4	2	DTL287000M/P4/2	CHAVETA CIGÜEÑAL DTL7000/9000	1
P4	3	DTL287000M/P4/3	CIGÜEÑAL DTL7000/9000	1
P4	4	DTL287000M/P4/4	BIELA DTL7000/9000	1
P4	5	DTL287000M/P4/5	PISTON DTL7000/9000	1
P4	6	DTL287000M/P4/6	CLIP BULON DTL7000/9000	2
P4	7	DTL287000M/P4/7	BULON PISTON DTL7000/9000	1
P4	8	DTL287000M/P4/8	KIT SEGMENTOS DTL7000/9000	1





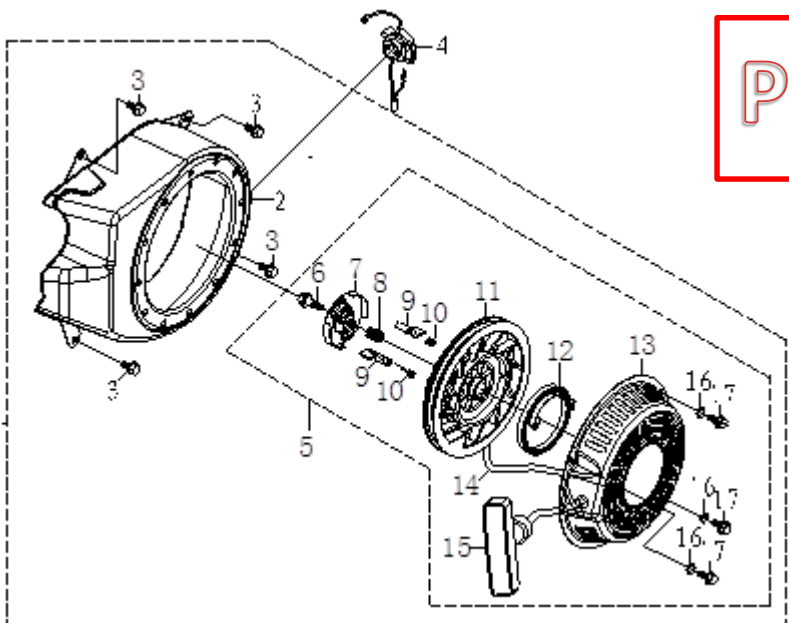
# MOTOR 7HP DTL7000 REF: DRTL2100

P5



PAG	POS	REFERENCIA	DESCRIPCION	CANT
P5	1	DTL287000M/P5/1	ARBOL DE LEVAS	1
P5	2	DTL287000M/P5/2	TAQUE DTL7000/9000	1
P5	3	DTL287000M/P5/3	VARILLA VALVULA DTL7000/9000	2
P5	4	DTL287000M/P5/4	CHAPA GUIA DTL7000/9000	1
P5	5	DTL287000M/P5/5	BALANCINES KIT DTL7000/9000	2
P5	10	DTL287000M/P5/10	VALVULA ADMISION DTL7000/9000	1
P5	11	DTL287000M/P5/11	VALVULA ESCAPE DTL7000/9000	1
P5	12	DTL287000M/P5/12	RETEN VALVULA DTL7000/9000	1
P5	13	DTL287000M/P5/13	MUELLE VALVULA DTL7000/9000	2
P5	14	DTL287000M/P5/14	PLATILLO ADMISION DTL7000/9000	1
P5	15	DTL287000M/P5/15	PLATILLO ESCAPE DTL7000/9000	1
P5	16	DTL287000M/P5/16	CASQUILLO VALVULA ESCAPE DTL7000/9000	1

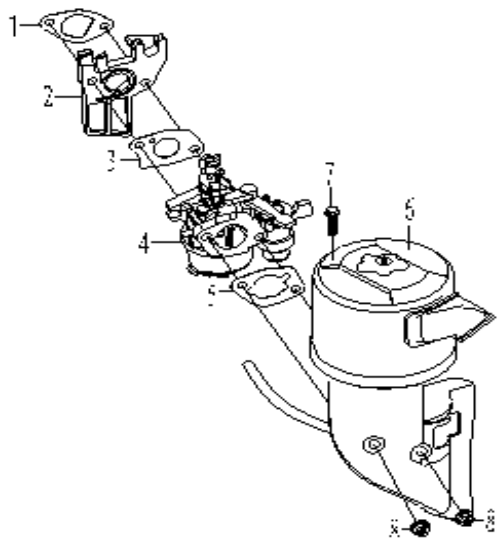
P6



PAG	POS	REFERENCIA	DESCRIPCION	CANT
P6	2	DTL287000M/P6/2	CARCASA AIREACION DTL7000/9000	1
P6	3	DTL287000M/P6/3	TORNILLO M6X12 DTL7000/9000	4
P6	4	DGR364500M/P5/4-1	TAPA INTERRUPTOR DTL7000/9000	1
P6	5	DTL287000M/P6/5	ARRANCADOR COMPLETO DTL7000/9000	1
P6	6	DTL287000M/P6/6	TORNILLO CENTRAL DTL7000/9000	1
P6	7	DTL287000M/P6/7	CAZOLETA DTL7000/9000	1
P6	8	DTL287000M/P6/8	MUELLE CAZOLETA DTL7000/9000	1
P6	9	DTL287000M/P6/9	TRINQUETE DTL7000/9000	2
P6	10	DTL287000M/P6/10	MUELLE TRINQUETE DTL7000/9000	2
P6	11	DTL287000M/P6/11	POLEA ARRANCADOR DTL7000/9000	1
P6	12	DTL287000M/P6/12	MUELLE ARRANCADOR DTL7000/9000	1
P6	13	DTL287000M/P6/13	CARCASA ARRANCADOR DTL7000/9000	1
P6	14	DTL287000M/P6/14	CUERDA ARRANCADOR DTL7000/9000	1
P6	15	DTL287000M/P6/15	POMO ARRANCADOR DTL7000/9000	1
P6	16	DTL287000M/P6/16	ARANDELA ARRANCADOR DTL7000/9000	3
P6	17	DTL287000M/P6/17	TORNILLO ARRANCADOR M6X10 DTL7000/9000	3

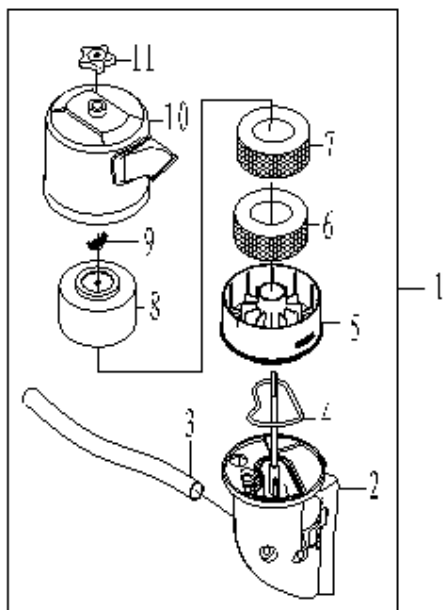


# MOTOR 7HP DTL7000 REF: DRTL2100



P7

PAG	POS	REFERENCIA	DESCRIPCION	CANT
P7	1	DTL287000M/P7/1	JUNTA ADMISION DTL7000/9000	1
P7	2	DTL287000M/P7/2	SEPARADOR TERMICO DTL7000/9000	1
P7	3	DTL287000M/P7/3	JUNTA CARBURADOR DTL7000/9000	1
P7	4	DTL287000M/P7/4	CARBURADOR DTL7000/9000	1
P7	5	DTL287000M/P7/5	JUNTA FILTRO DE AIRE DTL7000/9000	1
P7	6	DTL287000M/P7/6	ANCLAJE FILTRO AIRE COMPLETO DTL7000/9000	1
P7	7	DTL287000M/P7/7	TORNILLO M6X22 DTL7000/9000	1
P7	8	DTL287000M/P7/8	TUERCA M6 DTL7000/9000	2



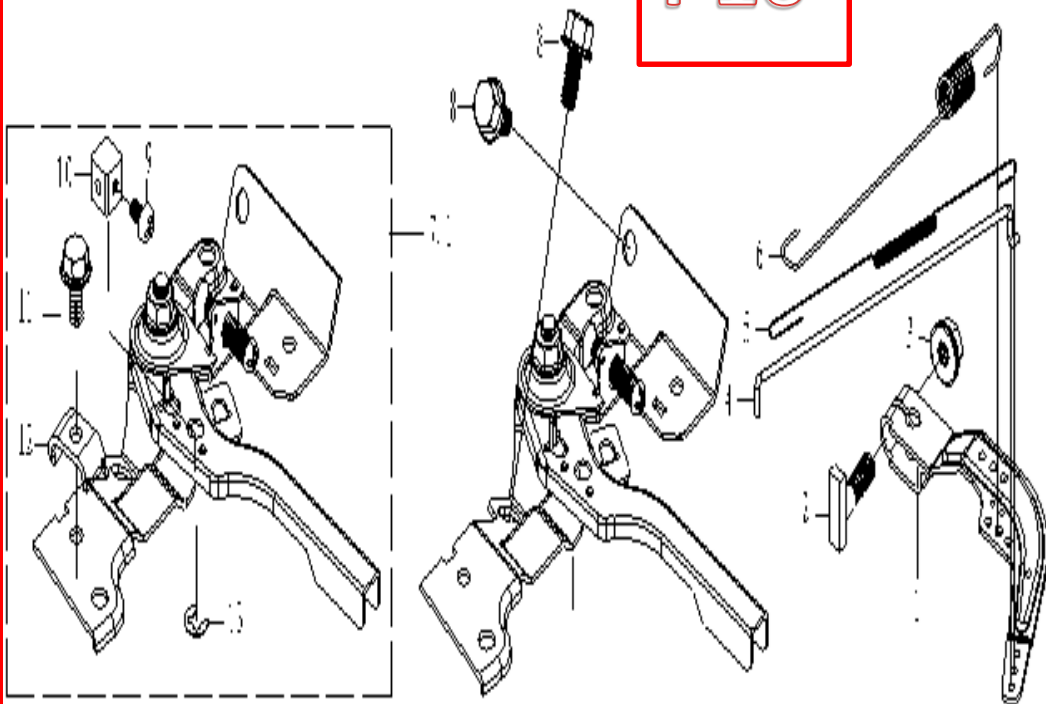
P8

PAG	POS	REFERENCIA	DESCRIPCION	CANT
P8	1	DTL287000M/P7/6	ANCLAJE FILTRO AIRE COMPLETO DTL7000/9000	1
P8	2	DTL287000M/P8/2	SOPORTE FILTRO DE AIRE DTL7000/9000	1
P8	3	DTL287000M/P8/3	TUBO RESPIRADERO DTL7000/9000	1
P8	4	DTL287000M/P8/4	JUNTA VASO ACEITE DTL7000/9000	1
P8	5	DTL287000M/P8/5	VASO ACEITE DTL7000/9000	1
P8	6	DTL287000M/P8/6	ELEMENTO FILTRO 1 DTL7000/9000	1
P8	7	DTL287000M/P8/7	ELEMENTO FILTRO 2 DTL7000/9000	1
P8	8	DTL287000M/P8/8	TAPA ELEMENTOS DTL7000/9000	1
P8	9	DTL287000M/P8/9	TUERCA MARIPOSA DTL7000/9000	1
P8	10	DTL287000M/P8/10	TAPA FILTRO DE AIRE DTL7000/9000	1
P8	11	DTL287000M/P8/11	TUERCA MULETILLA DTL7000/9000	1



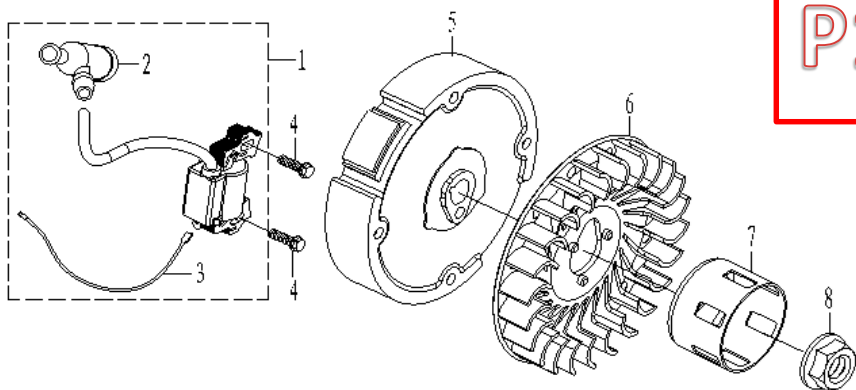
P10

# MOTOR 7HP DTL7000 REF: DRTL2100



PAG	POS	REFERENCIA	DESCRIPCION	CANT
P10	1	DTL287000M/P10/1	PALANCA EXTERIOR REGULADOR DTL7000/9000	1
P10	2	DTL287000M/P10/2	TORNILLO PALANCA REGULADOR DTL7000/9000	1
P10	3	DTL287000M/P10/3	TUERCA M6 DTL7000/9000	1
P10	4	DTL287000M/P10/4	VARILLA ACELERADOR DTL7000/9000	1
P10	5	DTL287000M/P10/5	MUELLE RETORNO GAS DTL7000/9000	1
P10	6	DTL287000M/P10/6	MUELLE REGULADOR DTL7000/9000	1
P10	7.1	DTL287000M/P10/7.1	MANDO ACELERADOR COMPLETO SOP.SIRGA DTL7000/9000	1
P10	8	DTL287000M/P10/8	TORNILLO M6X12 DTL7000/9000	2
P10	9	DTL287000M/P10/9	TORNILLO M4X6 DTL7000/9000	1
P10	10	DTL287000M/P10/10	PRISIONERO CABLE GAS DTL7000/9000	1
P10	11	DTL287000M/P10/11	TORNILLO BRIDA DTL7000/9000	1
P10	12	DTL287000M/P10/12	BRIDA SUJETA CABLE DTL7000/9000	1
P10	13	DTL287000M/P10/13	GRUPILLA DTL7000/9000	1

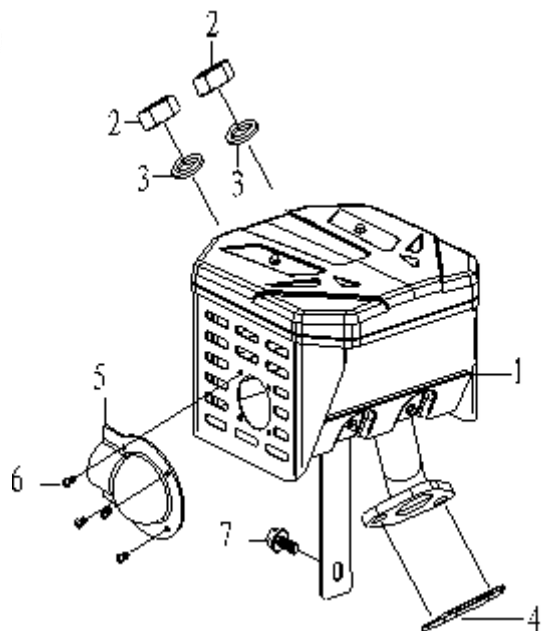
P11



PAG	POS	REFERENCIA	DESCRIPCION	CANT
P11	1-2-3	DTL287000M/P11/1	BOBINA DE ARRANQUE DTL7000/9000	1
P11	2	DTL287000M/P11/2	PIPA BUJIA DTL7000/9000	1
P11	4	DTL287000M/P11/4	TORNILLO M6X22 DTL7000/9000	1
P11	5	DTL287000M/P11/5	VOLANTE DTL7000/9000	1
P11	6	DTL287000M/P11/6	VENTILADOR DTL7000/9000	1
P11	7	DTL287000M/P11/7	POLEA ARRANQUE DTL7000/9000	1
P11	8	DTL287000M/P11/8	TUERCA VOLANTE DTL7000/9000	1

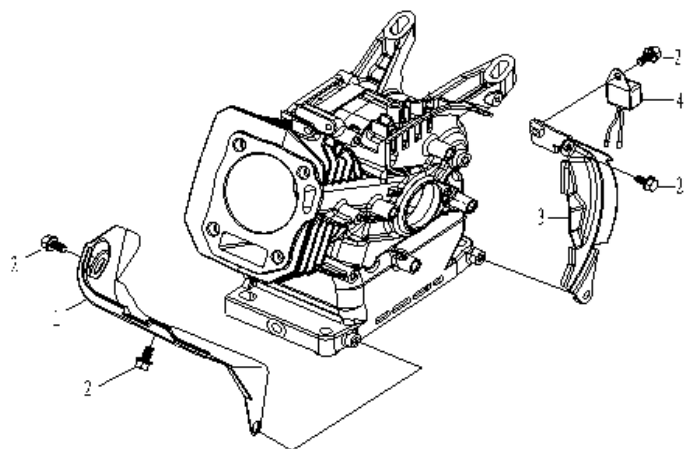


# MOTOR 7HP DTL7000 REF: DRTL2100



P12

PAG	POS	REFERENCIA	DESCRIPCION	CANT
P12	1	DTL287000M/P12/1	SILENCIOSO COMPLETO DTL7000/9000	1
P12	2	DTL287000M/P12/2	TUERCA M8 DTL7000/9000	2
P12	3	DTL287000M/P12/3	ARANDELA ELASTICA 8 DTL7000/9000	2
P12	4	DTL287000M/P12/4	JUNTA SILENCIOSO DTL7000/9000	1
P12	5	DTL287000M/P12/5	DEFLECTOR DTL7000/9000	1
P12	6	DTL287000M/P12/6	TORNILLO 4,2X5 DTL7000/9000	4
P12	7	DTL287000M/P12/7	TORNILLO M6X12 DTL7000/9000	1



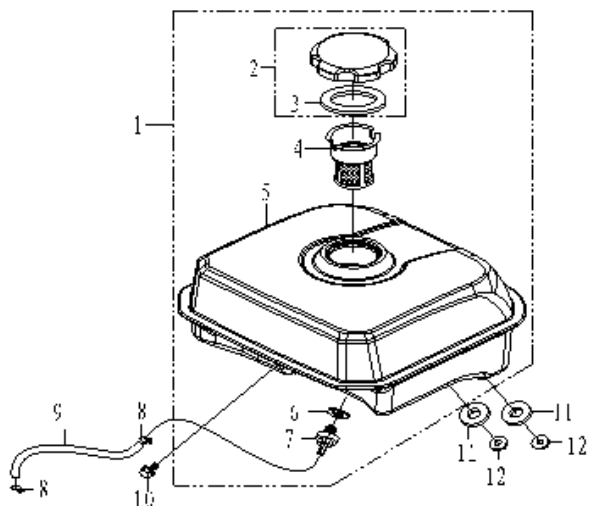
P13

PAG	POS	REFERENCIA	DESCRIPCION	CANT
P13	1	DTL287000M/P13/1	CHAPA VENTILACION CULATA DTL7000/9000	1
P13	2	DTL287000M/P13/2	TORNILLO M6X12 DTL7000/9000	1
P13	3	DTL287000M/P13/3	CHAPA VENTILACION VOLANTE DTL7000/9000	1
P13	4	DTL287000M/P13/4	DIODO DTL7000/9000	1





# MOTOR 7HP DTL7000 REF: DRTL2100



P14

PAG	POS	REFERENCIA	DESCRIPCION	CANT
P14	1	DTL287000M/P14/1	DEPOSITO GASOLINA COMPLETO DTL7000/9000	1
P14	2-3	DTL287000M/P14/2	TAPON DEPOSITO COMPLETO DTL7000/9000	1
P14	4	DTL287000M/P14/4	FILTRO LLENADO DTL7000/9000	1
P14	5	DTL287000M/P14/5	DEPOSITO GASOLINA DTL7000/9000	1
P14	6	DTL287000M/P14/6	ARANDELA FILTRO GASOLINA DTL7000/9000	1
P14	7	DTL287000M/P14/7	FILTRO GASOLINA DTL7000/9000	1
P14	8	DTL287000M/P14/8	CLIP TUBO DTL7000/9000	2
P14	9	DTL287000M/P14/9	TUBO GASOLINA DTL7000/9000	1
P14	10	DTL287000M/P14/10	TORNILLO M6X25 DTL7000/9000	1
P14	11	DTL287000M/P14/11	ARANDELA DTL7000/9000	2
P14	12	DTL287000M/P14/12	TUERCA M6 DTL7000/9000	2