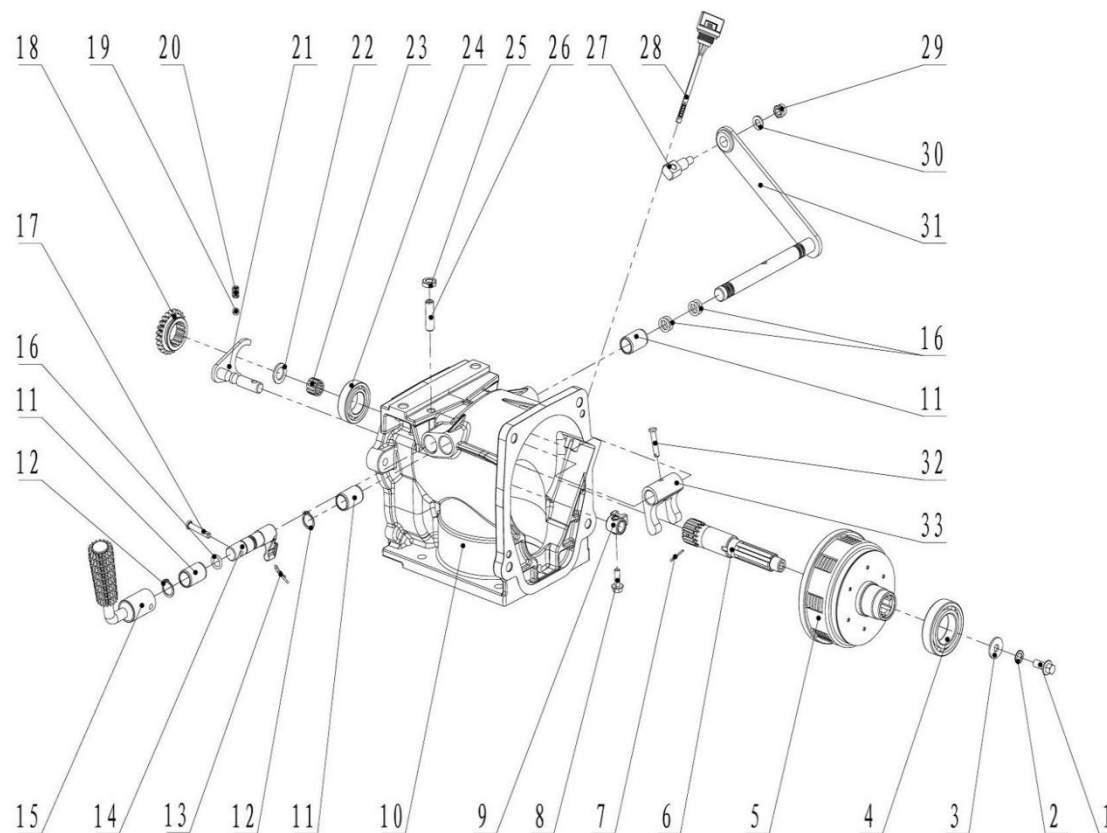




MOTOAZADA DTL11000D

P1

PAG	POS	REFERENCIA	DESCRIPCION	CANT
P1	1	DTL13000/P1/1	TORNILLO 8X20 DTL13000/11000D	1
P1	2	DTL10000/P1/24	ARANDELA ELASTICA 8 DTL10000	1
P1	3	DTL13000/P1/3	ARANDELA ANCHA DTL13000/11000D	1
P1	4	DTL13000/P1/4	RODAMIENTO 6007 DTL13000/11000D	1
P1	5	DTL13000/P1/5	EMBRAGUE COMPLETO DTL13000/11000D	1
P1	6	DTL13000/P1/6	EJE ENTRADA DTL13000/11000D	1
P1	7	DTL10000/P4/2	PASADOR DTL10000	1
P1	8	DTL10000/P1/18	TORNILLO M6X20 DTL10000	1
P1	9	DTL10000/P1/17	FUJACION HORQUILLA CAMBIO DTL10000	1
P1	10	DTL13000/P1/10	CARCASA TRANSMISION DTL13000/11000D	1
P1	11	DTL10000/P1/15	CASQUILLO 16X20X30 DTL10000	3
P1	12	DTL13000/P1/12	GRUPILLA POLEA DTL13000/11000D	2
P1	13	DTL10000/P1/13	PASADOR R DTL10000	1
P1	14	DTL10000/P1/16	EJE CAMBIO 2 DTL10000	1
P1	15	DTL13000/P1/15	POMO PALANCA CAMBIO DTL13000/11000D	1
P1	16	DTL13000/P1/16	TORICA 11.2X2.65 DTL13000/11000D	5
P1	17	DTL10000/P1/12	PASADOR 6X30 DTL10000	1
P1	18	DTL13000/P1/18	PIÑON A DTL13000/11000D	1
P1	19	DTL10000/P1/5	BOLA 8 DTL10000	1
P1	20	DTL10000/P1/4	RESORTE BOLA CAMBIO DTL10000	1
P1	21	DTL10000/P1/8	HORQUILLA CAMBIO DTL10000	1
P1	22	DTL13000/P1/22	ARANDELA 14.5X23X2 DTL13000/11000D	1
P1	23	DTL13000/P1/23	JAULA AGUJAS 14X18X13 DTL13000/11000D	1
P1	24	DTL10000/P2/47	RODAMIENTO 6005 DTL10000	1
P1	25	DTL10000/P1/3	TUERCA M10 DTL10000	1
P1	26	DTL10000/P1/2	TORNILLO PRISIONERO DTL10000	1
P1	27	DTL13000/P1/27	ASIENTO CABLE EMBRAGUE DTL13000/11000D	1
P1	28	DTL13000/P1/28	TAPON NIVEL ACEITE TRANSMISION DTL13000/11000D	1
P1	29	DTL10000/P3/14	TUERCA AUTOBLOCANTE 8 DTL10000	1
P1	30	DTL10000/P7/5	ARANDELA 8 DTL10000	1
P1	31	DTL13000/P1/31	EJE EMBRAGUE DTL13000/11000D	1
P1	32	DTL10000/P1/12	PASADOR 6X30 DTL10000	1
P1	33	DTL10000/P1/26	EMPUJADOR EMBRAGUE DTL10000	1





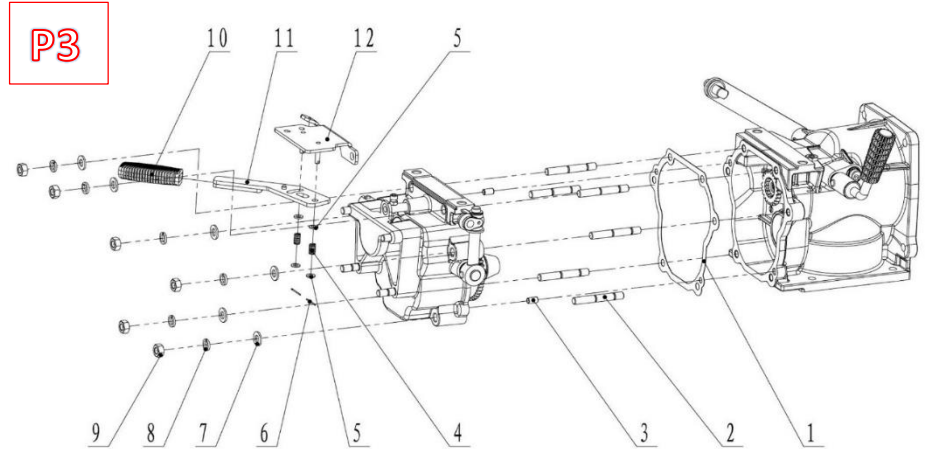
MOTOAZADA DTL11000D

PAG	POS	REFERENCIA	DESCRIPCION	CANT	PAG	POS	REFERENCIA	DESCRIPCION	CANT
P2	1	DTL13000/P2/1	EJE DTL13000/11000D	1	P2	33	DTL10000/P2/11	TOMA DE FUERZA TRASERA DTL10000	1
P2	2	DTL10000/P2/47	RODAMIENTO 6005 DTL10000	1	P2	34	DTL13000/P2/34	TAPA TOMA FUERZA DTL13000/11000D	1
P2	3	DTL13000/P2/3	ARANDELA AJUSTE DTL13000/11000D	2	P2	35	DTL10000/P6/17	TUERCA 6 DTL10000	4
P2	4	DTL10000/P2/46	JAULA AGUJAS 22X26X13 DTL10000	2	P2	36	DTL10000/P4/17	TORNILLO 6X10 DTL10000	1
P2	5	DTL13000/P2/5	PIÑON DOBLE A DTL13000/11000D	1	P2	37	DTL10000/P3/6	ARANDELA 6 DTL10000	1
P2	6	DTL13000/P2/6	ENGRANAJE B DTL13000/11000D	1	P2	38	DTL13000/P2/38	HORQUILLA TOMA FUERZA DTL13000/11000D	1
P2	7	DTL13000/P2/7	GRUPILLA 22 DTL13000/11000D	1	P2	39	DTL13000/P2/39	TORICA 1.8X8 DTL13000/11000D	2
P2	8	DTL13000/P2/8	GRUPILLA 20 DTL13000/11000D	1	P2	40	DTL13000/P2/40	ESPARRAGO 10X25 DTL13000/11000D	4
P2	9	DTL13000/P2/9	PIÑON VELOCIDAD LARGA DTL13000/11000D	1	P2	41	DTL13000/P2/41	TAPON 40X6 DTL13000/11000D	1
P2	10	DTL13000/P2/10	PIÑON DOBLE B DTL13000/11000D	1	P2	42	DTL10000/P1/22	TORNILLO 8X20 DTL10000	1
P2	11	DTL13000/P2/11	PIÑON VELOCIDAD CORTA DTL13000/11000D	1	P2	43	DTL10000/P1/22	TORNILLO 8X20 DTL10000	1
P2	12	DTL10000/P2/57	HORQUILLA CAMBIO DTL10000	1	P2	44	DTL10000/P2/13	ARANDELA ELASTICA 8 DTL10000	1
P2	13	DTL10000/P1/4	RESORTE BOLA CAMBIO DTL10000	1	P2	45	DTL10000/P2/13	ARANDELA ELASTICA 8 DTL10000	1
P2	14	DTL10000/P1/5	BOLA 8 DTL10000	1	P2	46	DTL13000/P2/46	ARANDELA 10.5X22X4	1
P2	15	DTL10000/P2/24	EJE HORQUILLA CAMBIO DTL10000	1	P2	47	DTL10000/P2/34	EJE CAMBIO M.ATRAS DTL10000	1
P2	16	DTL13000/P2/16	TORICA 11.8X1.8 DTL13000/11000D	1	P2	48	DTL13000/P2/48	CASQUILLO DTL13000/11000D	1
P2	17	DTL10000/P2/56	RODAMIENTO 6203 DTL10000	2	P2	49	DTL13000/P2/49	ASIENTO CABLE M.ATRAS DTL13000/11000D	1
P2	18	DTL13000/P2/18	TAPA TRASERA TRANSMISION DTL13000/11000D	1	P2	50	DTL10000/P3/6	ARANDELA 6 DTL10000	1
P2	19	DTL10000/P1/13	PASADOR R DTL10000	1	P2	51	DTL10000/P2/41	HORQUILLA M.ATRAS DTL10000	1
P2	20	DTL10000/P2/2	EJE CAMBIO DTL10000	1	P2	52	DTL13000/P2/52	EJE ESTRIADO DTL13000/11000D	1
P2	21	DTL13000/P2/21	ARANDELA 8X18X3 DTL13000/11000D	1	P2	53	DTL10000/P2/53	CASQUILLO 20.5X25X11.5 DTL10000	1
P2	22	DTL13000/P2/22	GRUPILLA 17 DTL13000/11000D	1	P2	54	DTL10000/P1/18	TORNILLO M6X20 DTL10000	1
P2	23	DTL13000/P2/23	GRUPILLA 40 DTL13000/11000D	2	P2	55	DTL10000/P3/17	CENTRADOR DTL10000	1
P2	24	DTL10000/P1/12	PASADOR 6X30 DTL10000	1	P2	56	DTL13000/P2/56	TORICA 1.8X18 DTL13000/11000D	1
P2	25	DTL13000/P2/25	TORICA 11.2X2.65 DTL13000/11000D	4	P2	57	DTL10000/P2/28	EJE M.ATRAS DTL10000	1
P2	26	DTL10000/P1/15	CASQUILLO 16X20X30 DTL10000	1	P2	58	DTL13000/P2/58	PLACA EMPUJADORA DTL13000/11000D	1
P2	27	DTL10000/P2/4	CASQUILLO SEPARADOR DTL10000	1	P2	59	DTL13000/P2/59	PIÑON REVERSA DTL13000/11000D	1
P2	28	DTL13000/P2/28	PALANCA CAMBIO DTL13000/11000D	1	P2	60	DTL10000/P2/31	ARANDELA 16.5X30X1 DTL10000	1
P2	29	DTL10000/P2/12	ARANDELA 8 DTL10000	1	P2	61	DTL10000/P2/32	RESORTE M.ATRAS DTL10000	1
P2	30	DTL13000/P2/30	UNION PALANCA CAMBIO DTL13000/11000D	1	P2	62	DTL10000/P2/33	SEPARADOR M.ATRAS DTL10000	1
P2	31	DTL13000/P2/31	GRUPILLA DTL13000/11000D	1	P2	63	DTL13000/P2/63	GRUPILLA 16 DTL13000/11000D	1
P2	32	DTL13000/P2/32	RETEN 17X40X8 DTL13000/11000D	1					

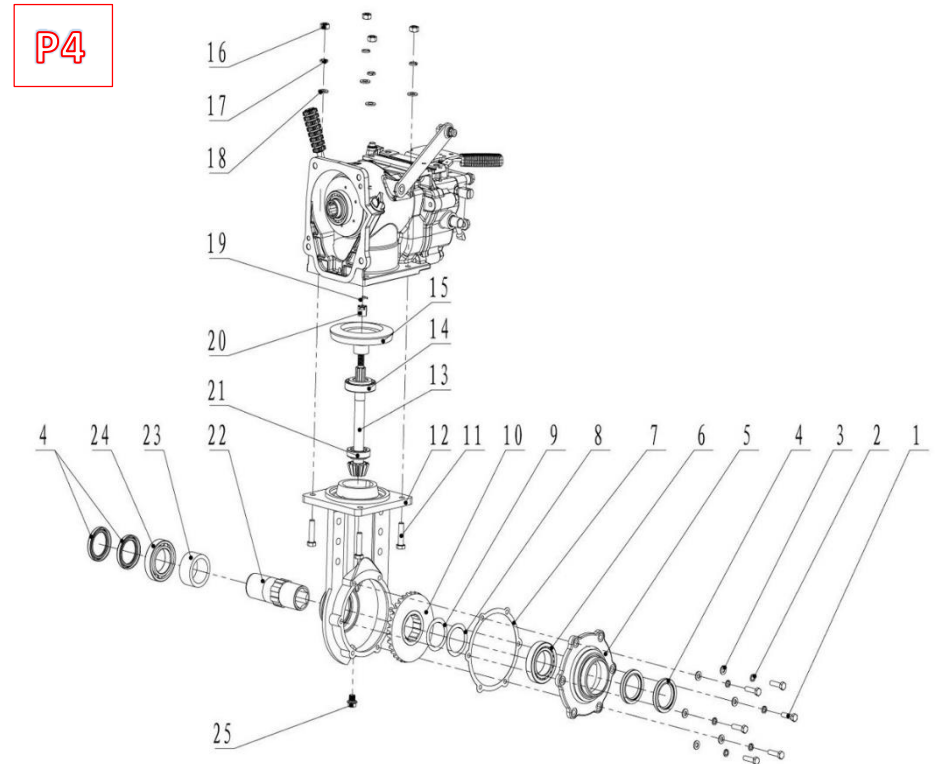


MOTOAZADA DTL1100D

PAG	POS	REFERENCIA	DESCRIPCION	CANT
P3	1	DTL13000/P3/1	JUNTA TAPA TRAS TRANSMISION DTL13000/11000D	1
P3	2	DTL13000/P3/2	ESPARRAGO 10X60 DTL13000/11000D	6
P3	3	DTL10000/P3/17	CENTRADOR DTL10000	2
P3	4	DTL13000/P3/4	RESORTE PALANCA DTL13000/11000D	2
P3	5	DTL10000/P7/5	ARANDELA 8 DTL10000	4
P3	6	DTL10000/P4/2	PASADOR DTL10000	2
P3	7	DTL10000/P7/5	ARANDELA 8 DTL10000	6
P3	8	DTL10000/P2/13	ARANDELA ELASTICA 8 DTL10000	6
P3	9	DTL10000/P3/6	ARANDELA 6 DTL10000	6
P3	10	DTL13000/P3/10	EMPUÑADURA GOMA DTL13000/11000D	1
P3	11	DTL13000/P3/11	PALANCA EMBRAGUE DTL13000/11000D	1
P3	12	DTL13000/P3/12	SOPORTE PALANCA EMBRAGUE DTL13000/11000D	1



PAG	POS	REFERENCIA	DESCRIPCION	CANT
P4	1	DTL10000/P1/22	TORNILLO 8X20 DTL10000	6
P4	2	DTL10000/P2/13	ARANDELA ELASTICA 8 DTL10000	6
P4	3	DTL10000/P7/5	ARANDELA 8 DTL10000	6
P4	4	DTL13000/P4/4	RETEN 45X62X8 DTL13000/11000D	4
P4	5	DTL13000/P4/5	TAPA EJE SALIDA DTL13000/11000D	1
P4	6	DTL13000/P4/6	RODAMIENTO 32009 DTL13000/11000D	1
P4	7	DTL13000/P4/7	JUNTA TAPA EJE DTL13000/11000D	1
P4	8	DTL10000/P4/20	ARANDELA AJUSTE DTL10000	1
P4	9	DTL13000/P4/9	ARANDELA AJUSTE 60X45.5X0.1 DTL13000/11000D	1
P4	10	DTL13000/P4/10	PIÑON EJE SALIDA DTL13000/11000D	1
P4	11	DTL10000/P1/22	TORNILLO 8X20 DTL10000	4
P4	12	DTL13000/P4/12	CARCASA TRANSMISION DTL13000/11000D	1
P4	13	DTL13000/P4/13	CORONA EJE SALIDA DTL13000/11000D	1
P4	14	DTL10000/P4/4	RODAMIENTO CONICO 30206 DTL10000	1
P4	15	DTL13000/P4/15	PIÑON EJE SALIDA DTL13000/11000D	1
P4	16	DTL10000/P3/6	ARANDELA 6 DTL10000	4
P4	17	DTL10000/P2/13	ARANDELA ELASTICA 8 DTL10000	4
P4	18	DTL10000/P7/5	ARANDELA 8 DTL10000	4
P4	19	DTL10000/P4/2	PASADOR DTL10000	1
P4	20	DTL13000/P4/20	TUERCA ALMENADA DTL13000/11000D	1
P4	21	DTL10000/P4/23	RODAMIENTO CONICO 30204 DTL10000	1
P4	22	DTL13000/P4/22	EJE HEXAGONAL DTL13000/11000D	1
P4	23	DTL13000/P4/23	CASQUILLO EJE HEXAGONAL DTL13000/11000D	1
P4	24	DTL13000/P4/24	RODAMIENTO 6009 DTL13000/11000D	1
P4	25	DTL13000/P4/25	TORNILLO VACIADO CAJA DTL13000/11000D	1



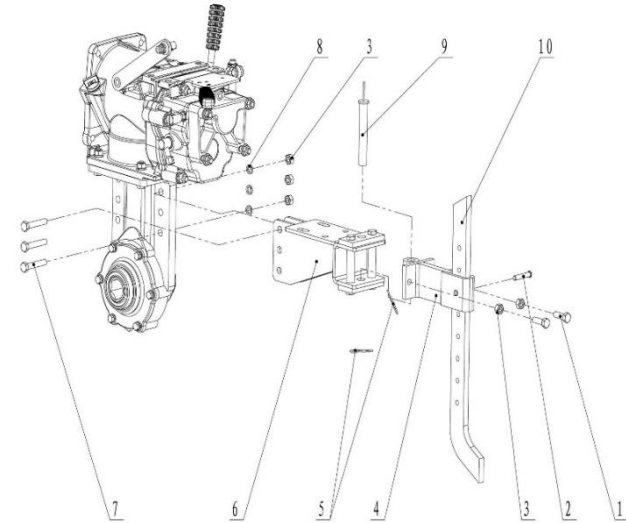


MOTOAZADA DTL11000D

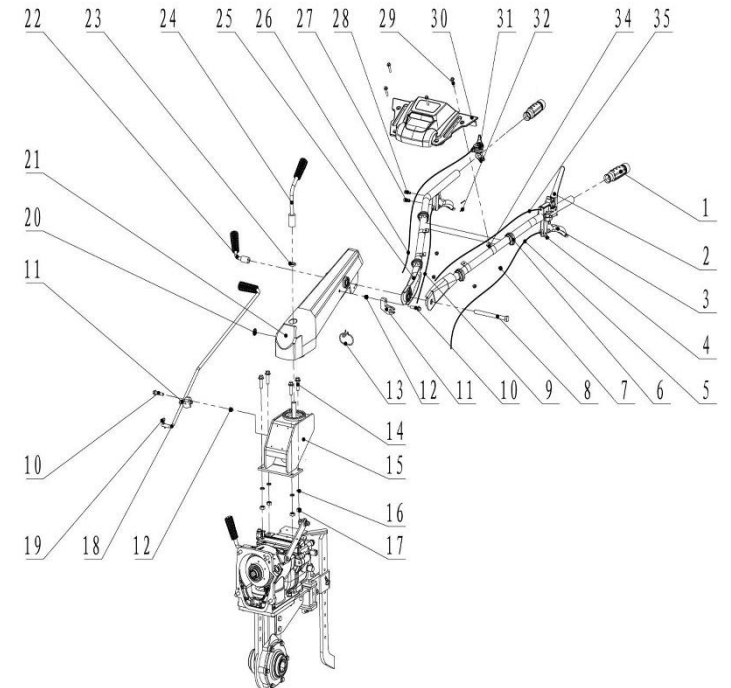
PAG	POS	REFERENCIA	DESCRIPCION	CANT
P5	1	DTL10000/P1/22	TORNILLO 8X20 DTL10000	2
P5	2	DTL10000/P1/12	PASADOR 6X30 DTL10000	1
P5	3	DTL10000/P3/6	ARANDELA 6 DTL10000	5
P5	4	DTL10000/P5/8	SOPORTE BARRA PROFUNDIDAD DTL10000	1
P5	5	DTL13000/P5/5	PASADOR R DTL13000/11000D	2
P5	6	DTL13000/P5/6	SOPORTE ENGANCHE DTL13000/11000D	1
P5	7	DTL10000/P1/22	TORNILLO 8X20 DTL10000	3
P5	8	DTL10000/P2/13	ARANDELA ELASTICA 8 DTL10000	3
P5	9	DTL10000/P5/1	BULON DTL10000	1
P5	10	DTL10000/P5/4	BARRA PROFUNDIDAS DTL10000	1

PAG	POS	REFERENCIA	DESCRIPCION	CANT
P6	1	DTL10000/P6/14	EMPUÑADURA 25 DTL10000	2
P6	2	DTL1100D/P6/2	PALANCA PARE DIESEL DTL11000D	1
P6	3	DTL13000/P6/3	PALANCA EMBRAGUE M.ATRAS DTL13000/11000D	2
P6	4	DTL13000/P6/4	PASADOR DTL13000/11000D	1
P6	5	DTL13000/P6/5	CABLE EMBRAGUE DTL13000/11000D	1
P6	6	DTL13000/P6/6	SUJETA CABLE DTL13000/11000D	4
P6	7	DTL10000/P6/17	TUERCA 6 DTL10000	4
P6	8	DTL10000/P1/22	TORNILLO 8X20 DTL10000	1
P6	9	DTL13000/P6/9	CABLE M.ATRAS DTL13000/11000D	1
P6	10	DTL13000/P6/10	TORNILLO 8X35 DTL13000/11000D	2
P6	11	DTL13000/P6/11	SOPORTE PALANCA CAMBION DTL13000/11000D	2
P6	12	DTL10000/P3/14	TUERCA AUTOBLOCANTE 8 DTL10000	2
P6	13	DTL13000/P6/13	PASACABLES DTL13000/11000D	1
P6	14	DTL13000/P6/14	TORNILLO 10X35 DTL13000/11000D	4
P6	15	DTL13000/P6/15	BASE MANILLAR DTL13000/11000D	1
P6	16	DTL10000/P2/13	ARANDELA ELASTICA 8 DTL10000	4
P6	17	DTL10000/P3/6	ARANDELA 6 DTL10000	4
P6	18	DTL13000/P6/18	PALANCA CAMBIOS DTL13000/11000D	1
P6	19	DTL13000/P6/19	CLIP B DTL13000/11000D	1
P6	20	DTL13000/P6/20	TAPON DTL13000/11000D	1
P6	21	DTL13000/P6/21	MANILLAR INFERIOR DTL13000/11000D	1
P6	22	DTL13000/P6/22	POMO APRIETE MANILAR SUP DTL13000/11000D	1
P6	23	DTL10000/P2/13	ARANDELA ELASTICA 8 DTL10000	1
P6	24	DTL13000/P6/24	POMO APRITE MANILLAR INF DTL13000/11000D	1
P6	25	DTL13000/P6/25	MANILLAR SUPERIOR DTL13000/11000D	1
P6	26	DTL13000/P6/26	CABLE ACELERADOR DTL13000/11000D	1
P6	26	DTL1100D/P6/26	CABLE ACELERADOR DTL13000/11000D	1
P6	27	DTL13000/P6/27	TOPE SIRGA DTL13000/11000D	2
P6	28	DTL10000/P1/12	PASADOR 6X30 DTL10000	2
P6	29	DTL13000/P6/29	TORNILLO 6X30 DTL13000/11000D	4
P6	30	DTL10000/P6/10	CAJA HERRAMIENTAS DTL10000	1
P6	31	DTL10000/P6/12	MANDO ACELERADOR DTL10000	1
P6	32	DTL10000/P4/2	PASADOR DTL10000	4
P6	34	DTL13000/P6/34	SOPORTE CAJA HERR DTL13000/11000D	4
P6	35	DTL13000/P6/35	CABLE PARE DIESEL DTL13000/11000D	1

P5



P6



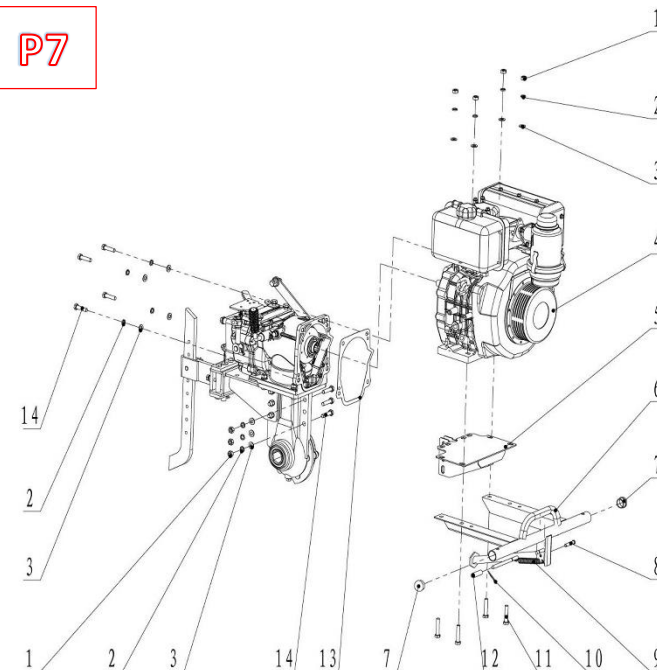
VERSION 1.0



MOTOAZADA DTL11000D

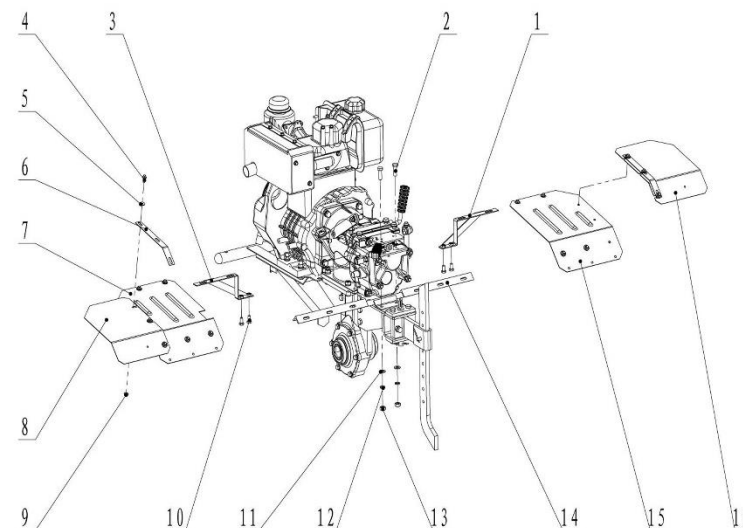
P7

PAG	POS	REFERENCIA	DESCRIPCION	CANT
P7	1	DTL10000/P3/6	ARANDELA 6 DTL10000	7
P7	2	DTL10000/P2/13	ARANDELA ELASTICA 8 DTL10000	11
P7	3	DTL10000/P7/5	ARANDELA 8 DTL10000	11
P7	4	DTL11000D/M	MOTOR GASOLINA 10HP DTL11000D	1
P7	5	DTL1100D/P7/5	SOPORTE MOTOR DIESEL DTL11000D	1
P7	6	DTL1100D/P7/6	PARAGOLPES DIESEL DTL11000D	1
P7	7	DTL13000/P7/7	TAPON DTL13000/11000D	2
P7	8	DTL10000/P1/12	PASADOR 6X30 DTL10000	1
P7	9	DTL13000/P7/9	RESORTE PATA DELANTERA DTL13000/11000D	1
P7	10	DTL13000/P7/10	CLIP B DTL13000/11000D	1
P7	11	DTL10000/P1/22	TORNILLO 8X20 DTL10000	4
P7	12	DTL13000/P7/12	POMO PATA DTL13000/11000D	1
P7	13	DTL13000/P7/13	JUNTA MOTOR-CAJA DTL13000/11000D	1
P7	14	DTL10000/P1/22	TORNILLO 8X20 DTL10000	7



PAG	POS	REFERENCIA	DESCRIPCION	CANT
P8	1	DTL13000/P8/1	SOPORTE GUARDABARROS DRCH DTL13000/11000D	1
P8	2	DTL13000/P8/2	TORNILLO 10X30 DTL13000/11000D	2
P8	3	DTL13000/P8/3	SOPORTE GUARDABARROS IZQ DTL13000/11000D	1
P8	4	DTL10000/P1/18	TORNILLO M6X20 DTL10000	14
P8	5	DTL13000/P8/5	ARANDELA ANCHA 6 DTL13000/11000D	14
P8	6	DTL13000/P8/6	REFUERZO LATERAL GUARDABARROS DTL13000/11000D	2
P8	7	DTL13000/P8/7	GUARDAARROS INT IZQ DTL13000/11000D	1
P8	8	DTL13000/P8/8	GUARDAARROS EXT IZQ DTL13000/11000D	1
P8	9	DTL10000/P6/17	TUERCA 6 DTL10000	14
P8	10	DTL10000/P1/22	TORNILLO 8X20 DTL10000	4
P8	11	DTL10000/P7/5	ARANDELA 8 DTL10000	2
P8	12	DTL10000/P2/13	ARANDELA ELASTICA 8 DTL10000	2
P8	13	DTL10000/P3/6	ARANDELA 6 DTL10000	2
P8	14	DTL13000/P8/14	REFUERZO TRASERO GUARDABARROS DTL13000/11000D	1
P8	15	DTL13000/P8/15	GUARDAARROS INT DRCH DTL13000/11000D	1
P8	16	DTL13000/P8/16	GUARDAARROS EXT DRCH DTL13000/11000D	1

P8



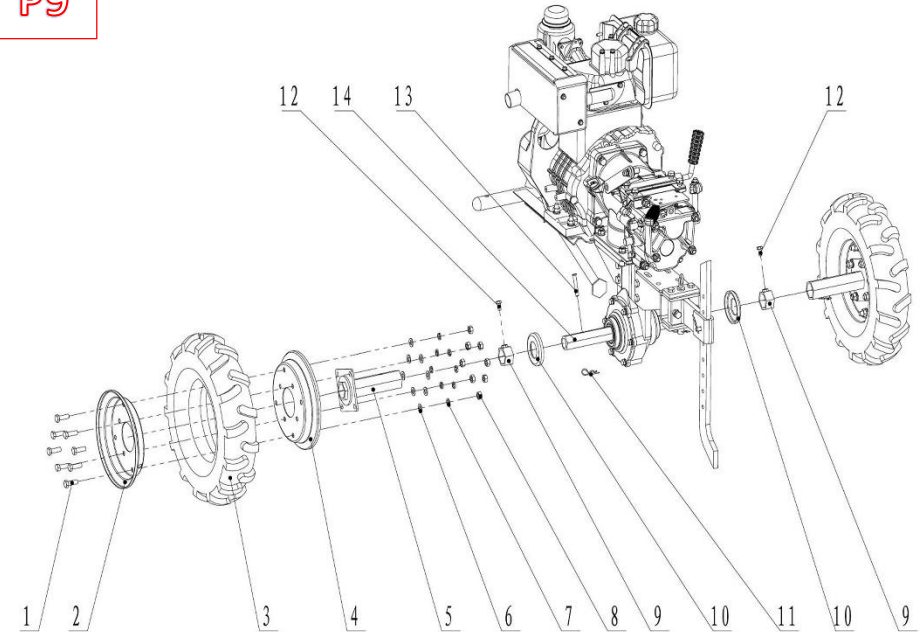


MOTOAZADA DTL11000D

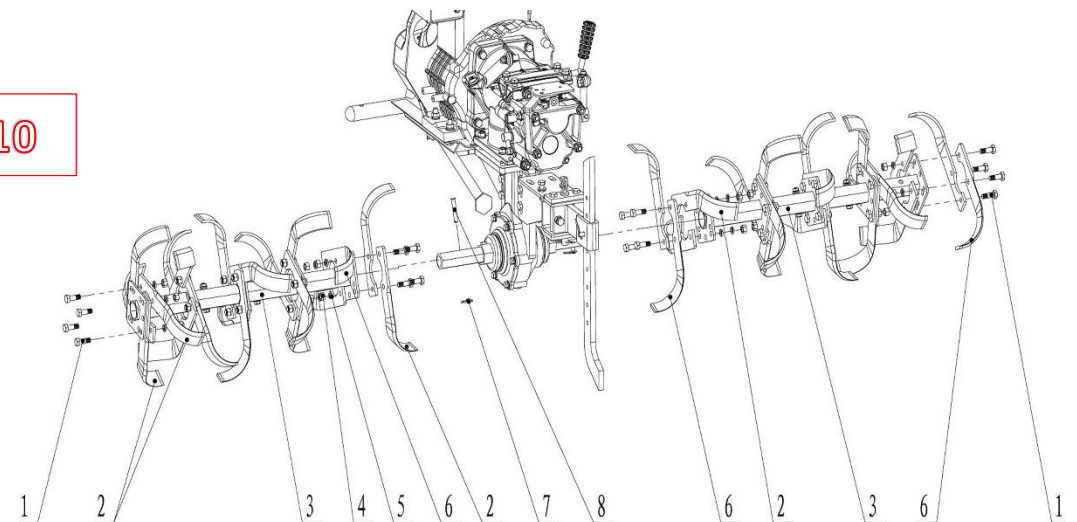
P9

PAG	POS	REFERENCIA	DESCRIPCION	CANT
P9	13	DTL10000/P1/12	PASADOR 6X30 DTL10000	2
P9	1	DTL10000/P1/22	TORNILLO 8X20 DTL10000	16
P9	12	DTL10000/P1/22	TORNILLO 8X20 DTL10000	2
P9	7	DTL10000/P2/13	ARANDELA ELASTICA 8 DTL10000	16
P9	8	DTL10000/P3/6	ARANDELA 6 DTL10000	16
P9	6	DTL10000/P7/5	ARANDELA 8 DTL10000	16
P9	10	DTL13000/P9/10	PROTECTOR RETEN DTL13000/11000D	2
P9	11	DTL13000/P9/11	CLIP B DTL13000/11000D	2
P9	14	DTL13000/P9/14	EJE SALIDA HEXAGONAL DTL13000/11000D	1
P9	2	DTL13000/P9/2	LLANTA IZQ (VALVULA) DTL13000/11000D	2
P9	3	DTL13000/P9/3	NEUMATICO CON CAMRA DTL13000/11000D	2
P9	4	DTL13000/P9/4	LLANTA DRCH DTL13000/11000D	2
P9	5	DTL13000/P9/5	EJE RUEDA DTL13000/11000D	2
P9	9	DTL13000/P9/9	CASQUILLO PRISIONERO DTL13000/11000D	2

PAG	POS	REFERENCIA	DESCRIPCION	CANT
P10	1	DTL10000/P2/19	TORNILLO 10X25 DTL10000	32
P10	1	DTL10000/P1/22	TORNILLO 8X20 DTL10000	40
P10	2	DTL13000/P10/2	CUCHILLA DRCH DTL13000/11000D	20
P10	3	DTL13000/P10/3	KIT EJE CUCHILLA DTL13000/11000D	2
P10	4	DTL10000/P2/13	ARANDELA ELASTICA 8 DTL10000	40
P10	5	DTL10000/P3/6	ARANDELA 6 DTL10000	40
P10	6	DTL13000/P10/6	CUCHILLA IZQ DTL13000/11000D	20
P10	7	DTL13000/P10/7	CLIP B DTL13000/11000D	2
P10	8	DTL10000/P1/12	PASADOR 6X30 DTL10000	2



P10

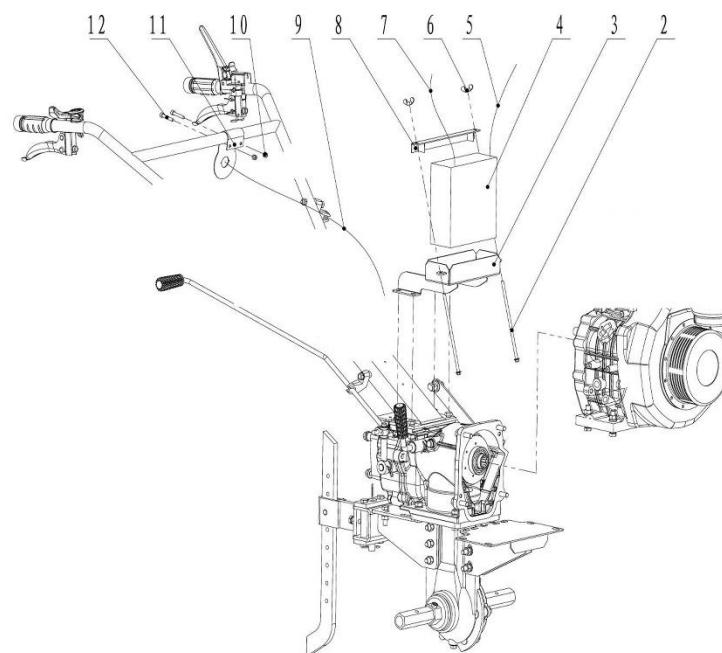




MOTOAZADA DTL11000D

P11

PAG	POS	REFERENCIA	DESCRIPCION	CANT
P11	2	DTL10000/P1/18	TORNILLO M6X20 DTL10000	2
P11	3	DTL11000D/P11/3	SOPORTE BATERIA DTL11000D	1
P11	4	DTL11000D/P11/4	BATERIA 18AH DTL11000D	1
P11	5	DTL11000D/P11/5	CABLE BATERIA 1 DTL11000D	1
P11	6	DTL11000D/P11/6	PALOMILLA SUJECCION BATERIA DTL11000D	2
P11	7	DTL11000D/P11/7	CABLE BATERIA 2 DTL11000D	1
P11	8	DTL11000D/P11/8	BRIDA BATERIA DTL11000D	1
P11	9	DTL11000D/P11/9	BOMBIN CON CABLES DTL11000D	1
P11	10	DTL10000/P3/14	TUERCA AUTOBLOCANTE 8 DTL10000	2
P11	11	DTL11000D/P11/11	PLACA SOPORTE BOMBIN ARRANQUE DTL11000D	1
P11	12	DTL10000/P4/17	TORNILLO 6X10 DTL10000	2

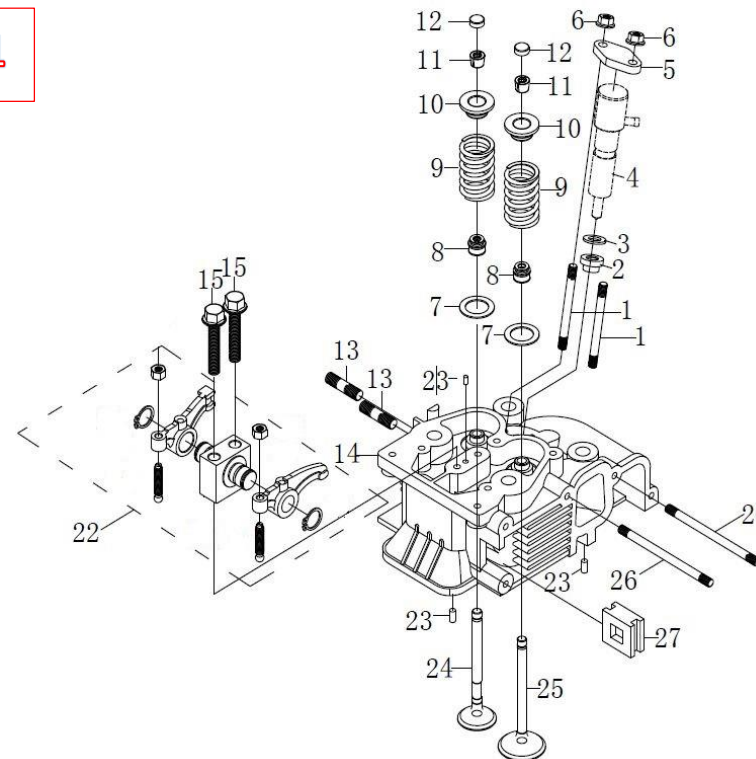




MOTOR DIESEL 10HP REF DTL11000DM

P1

PAG	POS	REFERENCIA	DESCRIPCION
P1	1	DTL11000DM/P1/1	ESPARRAGO MOTOR DIESEL 10HP
P1	2	DTL11000DM/P1/2	ASIEN TO INYECTOR MOTOR DIESEL 10HP
P1	3	DTL11000DM/P1/3	JUNTA INYECTOR MOTOR DIESEL 10HP
P1	4	DTL11000DM/P1/4	INYECTOR COMBUSTIBEL MOTOR DIESEL 10HP
P1	5	DTL11000DM/P1/5	CHAPA INYECTOR MOTOR DIESEL 10HP
P1	6	DTL11000DM/P1/6	TUERCA M6 MOTOR DIESEL 10HP
P1	7	DTL11000DM/P1/7	ASIEN TO RESORTE MOTOR DIESEL 10HP
P1	8	DTL11000DM/P1/8	RETEN VALVULA MOTOR DIESEL 10HP
P1	9	DTL11000DM/P1/9	RESORTE VALVULA MOTOR DIESEL 10HP
P1	10	DTL11000DM/P1/10	PLATILLO VALVULA MOTOR DIESEL 10HP
P1	11	DTL11000DM/P1/11	SEMICONOS MOTOR DIESEL 10HP
P1	12	DTL11000DM/P1/12	CASQUILLO VALVULA MOTOR DIESEL 10HP
P1	13	DTL11000DM/P1/13	ESPARRAGO 8X32 MOTOR DIESEL 10HP
P1	14	DTL11000DM/P1/14	CULATA MOTOR DIESEL 10HP
P1	15	DTL11000DM/P1/15	TORNILLO KIT BALANCINES MOTOR DIESEL 10HP
P1	22	DTL11000DM/P1/22	KIT BALANCINES MOTOR DIESEL 10HP
P1	23	DTL11000DM/P1/23	CASQUILLO CENTRADOR MOTOR DIESEL 10HP
P1	24	DTL11000DM/P1/24	VALVULA ESCAPE MOTOR DIESEL 10HP
P1	25	DTL11000DM/P1/25	VALVULA ADMISION MOTOR DIESEL 10HP
P1	26	DTL11000DM/P1/26	ESPARRAGO FILTRO AIRE MOTOR DIESEL 10HP
P1	27	DTL11000DM/P1/27	GOMA MOTOR DIESEL 10HP

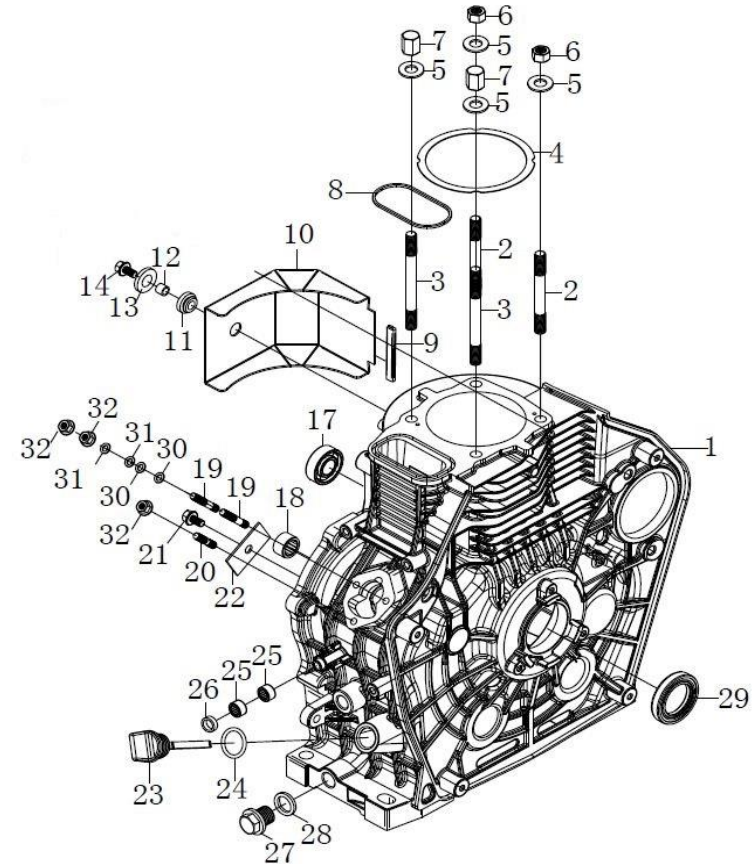




MOTOR DIESEL 10HP REF DTL11000DM

PAG	POS	REFERENCIA	DESCRIPCION
P2	1	DTL11000DM/P2/1	CILINDRO MOTOR DIESEL 10HP
P2	2	DTL11000DM/P2/2	ESPARRAGO CULATA 1 MOTOR DIESEL 10HP
P2	3	DTL11000DM/P2/3	ESPARRAGO CULATA 2 MOTOR DIESEL 10HP
P2	4	DTL11000DM/P2/4	JUNTA CULATA MOTOR DIESEL 10HP
P2	5	DTL11000DM/P2/5	ARANDELA MOTOR DIESEL 10HP
P2	6	DTL11000DM/P2/6	TUERCA MOTOR DIESEL 10HP
P2	7	DTL11000DM/P2/7	TUERCA CIEGA MOTOR DIESEL 10HP
P2	8	DTL11000DM/P2/8	JUNTA VARILLA EMPUJADORA MOTOR DIESEL 10HP
P2	9	DTL11000DM/P2/9	JUNTA PLACA MOTOR DIESEL 10HP
P2	10	DTL11000DM/P2/10	CHAPA AIREACION MOTOR DIESEL 10HP
P2	11	DTL11000DM/P2/11	GOMA MOTOR DIESEL 10HP
P2	12	DTL11000DM/P2/12	CASQUILLO 6.5X10X6 MOTOR DIESEL 10HP
P2	13	DTL11000DM/P2/13	ARANDELA 6 MOTOR DIESEL 10HP
P2	14	DTL11000DM/P2/14	TORNILLO 6X20 MOTOR DIESEL 10HP
P2	17	DTL11000DM/P2/17	RODAMIENTO 6203/P5 MOTOR DIESEL 10HP
P2	18	DTL11000DM/P2/18	JAUJA AGUJAS MOTOR DIESEL 10HP
P2	19	DTL11000DM/P2/19	ESPARRAGO 6X40 MOTOR DIESEL 10HP
P2	20	DTL11000DM/P2/20	ESPARRAGO 6X30 MOTOR DIESEL 10HP
P2	21	DTL11000DM/P2/21	TORNILLO 8X12 MOTOR DIESEL 10HP
P2	22	DTL11000DM/P2/22	CHAPA MOTOR DIESEL 10HP
P2	23	DTL11000DM/P2/23	TAPON VARILLA NIVEL MOTOR DIESEL 10HP
P2	24	DTL11000DM/P2/24	ANILLO TORICO 24X2.4 MOTOR DIESEL 10HP
P2	25	DTL11000DM/P2/25	JAUJA AGUJAS MOTOR DIESEL 10HP
P2	26	DTL11000DM/P2/26	RETEN 8X14X4 MOTOR DIESEL 10HP
P2	27	DTL11000DM/P2/27	TAPON VACIADO MOTOR DIESEL 10HP
P2	28	DTL11000DM/P2/28	RETEN 16.5X22.5X2.6 MOTOR DIESEL 10HP
P2	29	DTL11000DM/P2/29	RETEN 35X50X8 MOTOR DIESEL 10HP
P2	30	DTL11000DM/P2/30	ARANDELA 6 MOTOR DIESEL 10HP
P2	31	DTL11000DM/P2/31	ARANDELA ELASTICA 6 MOTOR DIESEL 10HP
P2	32	DTL11000DM/P2/32	TUERCA 6 MOTOR DIESEL 10HP

P2

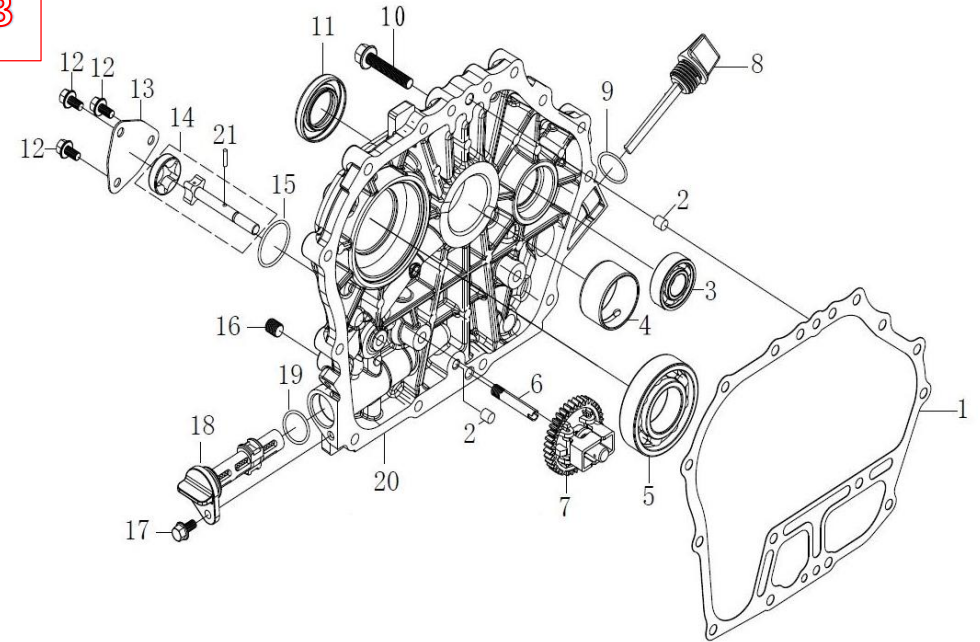




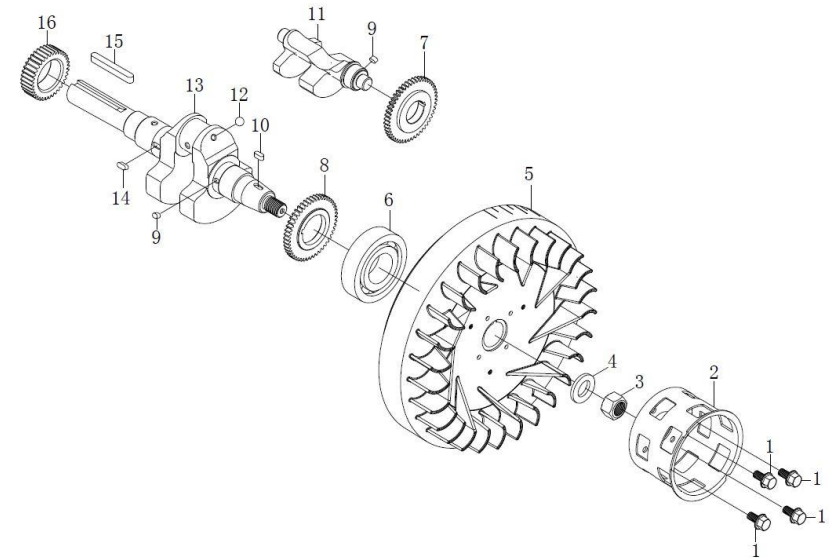
MOTOR DIESEL 10HP REF DTL11000DM

PAG	POS	REFERENCIA	DESCRIPCION
P3	1	DTL11000DM/P3/1	JUNTA CARTER MOTOR DIESEL 10HP
P3	2	DTL11000DM/P3/2	CENTRADOR 8X12 MOTOR DIESEL 10HP
P3	3	DTL11000DM/P2/17	RODAMIENTO 6203/P5 MOTOR DIESEL 10HP
P3	4	DTL11000DM/P3/4	CASQUILLO MOTOR DIESEL 10HP
P3	5	DTL11000DM/P3/5	RODAMIENTO 6207/P2 MOTOR DIESEL 10HP
P3	6	DTL11000DM/P3/6	TUBO ACEITE MOTOR DIESEL 10HP
P3	7	DTL11000DM/P3/7	REGULADOR MOTOR MOTOR DIESEL 10HP
P3	8	DTL11000DM/P2/23	TAPON VARILLA NIVEL MOTOR DIESEL 10HP
P3	9	DTL11000DM/P2/24	ANILLO TORICO 24X2.4 MOTOR DIESEL 10HP
P3	10	DTL11000DM/P3/10	TORNILLO TAPA CARTER 8X33 MOTOR DIESEL 10HP
P3	11	DTL11000DM/P3/11	RETEN 35X50X10 MOTOR DIESEL 10HP
P3	12	DTL11000DM/P3/12	TORNILLO 6X12 MOTOR DIESEL 10HP
P3	13	DTL11000DM/P3/13	TAPA BOMBA ACEITE MOTOR DIESEL 10HP
P3	14	DTL11000DM/P3/14	EJE BOMBA ACEITE MOTOR DIESEL 10HP
P3	15	DTL11000DM/P3/15	JUNTA TAPA BOMBA ACEITE MOTOR DIESEL 10HP
P3	16	DTL11000DM/P3/16	PROSIONERO MOTOR DIESEL 10HP
P3	17	DTL11000DM/P3/17	TORNILLO 6X16 MOTOR DIESEL 10HP
P3	18	DTL11000DM/P3/18	FILTRO ACEITE MOTOR DIESEL 10HP
P3	19	DTL11000DM/P3/19	ANILLO TORICO 24X2.4 MOTOR DIESEL 10HP
P3	20	DTL11000DM/P3/20	TAPA CARTER MOTOR DIESEL 10HP
P3	21	DTL11000DM/P3/21	PASADOR 3X18 MOTOR DIESEL 10HP
PAG	POS	REFERENCIA	DESCRIPCION
P4	1	DTL11000DM/P3/12	TORNILLO 6X12 MOTOR DIESEL 10HP
P4	2	DTL11000DM/P4/2	POLEA ARRANCADORA MOTOR DIESEL 10HP
P4	3	DTL11000DM/P4/3	TUERCA POLEA MOTOR DIESEL 10HP
P4	4	DTL11000DM/P4/4	ARANDELA MOTOR DIESEL 10HP
P4	5	DTL11000DM/P4/5	VOLANTE DE ARRANQUE MOTOR DIESEL 10HP
P4	6	DTL11000DM/P4/6	RODAMIENTO 6308/P5 MOTOR DIESEL 10HP
P4	7	DTL11000DM/P4/7	PIÑON CIGÜEÑAL-CONTRAPESO MOTOR DIESEL 10HP
P4	8	DTL11000DM/P4/8	PIÑON CONTRAPESO-CIGÜEÑAL MOTOR DIESEL 10HP
P4	9	DTL11000DM/P4/9	CHAVETA 5X5X7 MOTOR DIESEL 10HP
P4	10	DTL11000DM/P4/10	CHAVETA 5X5X14 MOTOR DIESEL 10HP
P4	11	DTL11000DM/P4/11	CONTRAPESO MOTOR DIESEL 10HP
P5	12	DTL11000DM/P4/12	BOLA 6.3 MOTOR DIESEL 10HP
P4	13	DTL11000DM/P4/13	CIGÜEÑAL MOTOR DIESEL 10HP
P4	14	DTL11000DM/P4/14	CHAVETA 5X5X12 MOTOR DIESEL 10HP
P4	15	DTL11000DM/P4/15	CHAVETA 6.3X6.3X56 MOTOR DIESEL 10HP
P4	16	DTL11000DM/P4/16	PIÑON DISTRIBUCION CIGÜEÑAL MOTOR DIESEL 10HP

P3



P4





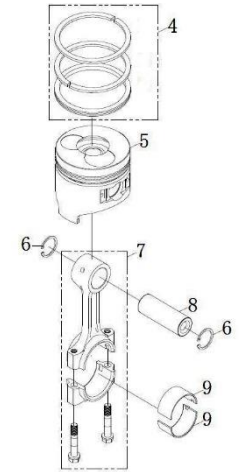
MOTOR DIESEL 10HP REF DTL11000DM

PAG	POS	REFERENCIA	DESCRIPCION
P5	4	DTL11000DM/P5/4	KIT SEGMENTOS MOTOR DIESEL 10HP
P5	5	DTL11000DM/P5/5	PISTON MOTOR DIESEL 10HP
P5	6	DTL11000DM/P5/6	GRUPILLA BULON MOTOR DIESEL 10HP
P5	7	DTL11000DM/P5/7	BIELA MOTOR DIESEL 10HP
P5	8	DTL11000DM/P5/8	BULON MOTOR DIESEL 10HP
P5	9	DTL11000DM/P5/9	CASQUILLO BIELA MOTOR DIESEL 10HP

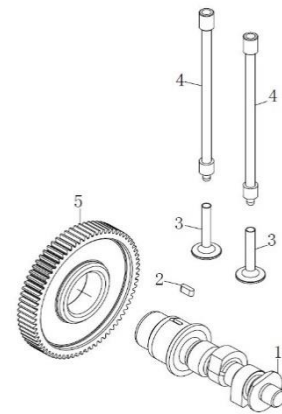
PAG	POS	REFERENCIA	DESCRIPCION
P6	1	DTL11000DM/P6/1	ARBOL DE LEVAS MOTOR DIESEL 10HP
P6	2	DTL11000DM/P6/2	CHAVETA 5X5X14 MOTOR DIESEL 10HP
P6	3	DTL11000DM/P6/3	TAQUE MOTOR DIESEL 10HP
P6	4	DTL11000DM/P6/4	VARILLA EMPUJADORA MOTOR DIESEL 10HP
P6	5	DTL11000DM/P6/5	PIÑON DISTRIBUCION ARBOL DE LEVAS MOTOR DIESEL 10HP

PAG	POS	REFERENCIA	DESCRIPCION
P7	1	DTL11000DM/P7/1	MOTOR DE ARRANQUE MOTOR DIESEL 10HP
P7	2	DTL11000DM/P7/2	ARANDELA MOTOR DIESEL 10HP
P7	3	DTL11000DM/P7/3	ARANDELA ELASTICA MOTOR DIESEL 10HP
P7	4	DTL11000DM/P7/4	TORNILLO 10X35 MOTOR DIESEL 10HP
P7	5	DTL11000DM/P7/5	REGULADOR CARGA MOTOR DIESEL 10HP
P7	6	DTL11000DM/P7/6	TORNILLO 6X22 MOTOR DIESEL 10HP
P7	7	DTL11000DM/P7/7	TORNILLO 6X12 MOTOR DIESEL 10HP
P7	8	DTL11000DM/P7/8	SOPORTE REGULADOR MOTOR DIESEL 10HP
P7	9	DTL11000DM/P7/9	PASACABLE MOTOR DIESEL 10HP
P7	10	DTL11000DM/P7/7	TORNILLO 6X12 MOTOR DIESEL 10HP
P7	11	DTL11000DM/P7/11	TORNILLO 6X20 MOTOR DIESEL 10HP
P7	12	DTL11000DM/P7/12	ALTERNADOR MOTOR DIESEL 10HP
P7	13	DTL11000DM/P7/13	TORNILLO 6X8 MOTOR DIESEL 10HP
P7	14	DTL11000DM/P7/14	CORONA ARRNQ. ELEC. VOLANTE MOTOR DIESEL 10HP

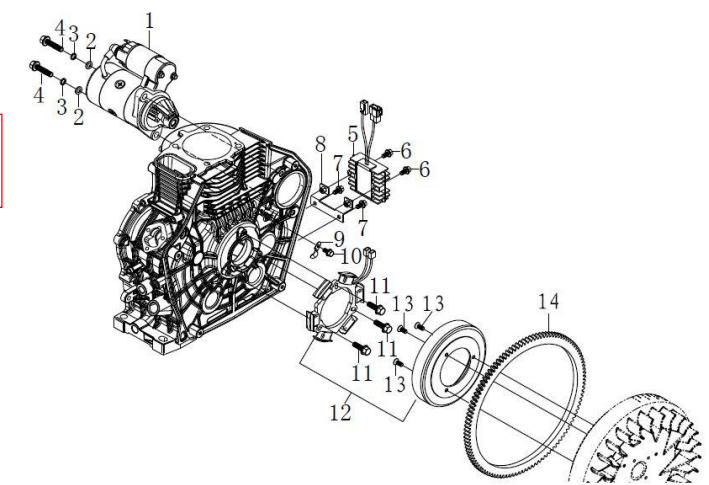
P5



P6



P7



VERSION 1.0



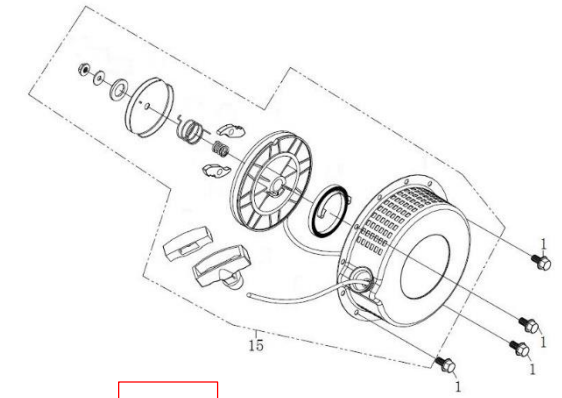
MOTOR DIESEL 10HP REF DTL11000DM

PAG	POS	REFERENCIA	DESCRIPCION
P8	1	DTL11000DM/P8/1	TORNILLO 6X8 MOTOR DIESEL 10HP
P8	15	DTL11000DM/P8/15	ARRANCADOR COMPLETO MOTOR DIESEL 10HP

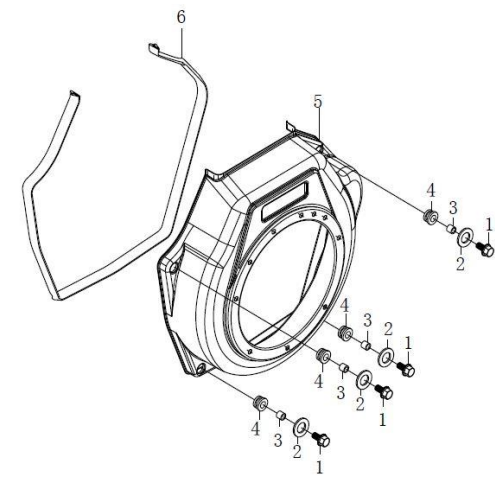
PAG	POS	REFERENCIA	DESCRIPCION
P9	1	DTL11000DM/P9/1	TORNILLO 6X25 MOTOR DIESEL 10HP
P9	2	DTL11000DM/P9/2	ARANDELA 6X18X1.6 MOTOR DIESEL 10HP
P9	3	DTL11000DM/P9/3	CASQUILLO MOTOR DIESEL 10HP
P9	4	DTL11000DM/P9/4	GOMA TORNILLO MOTOR DIESEL 10HP
P9	5	DTL11000DM/P9/5	CARCASA AIREACION MOTOR DIESEL 10HP
P9	6	DTL11000DM/P9/6	GOMA AJUSTE CARCASA AIREACION MOTOR DIESEL 10HP

PAG	POS	REFERENCIA	DESCRIPCION
P10	12	DTL11000DM/P10/12	ELEMENTO FILTRO AIRE MOTOR DIESEL 10HP
P10	14	DTL11000DM/P2/32	TUERCA 6 MOTOR DIESEL 10HP
P10	15	DTL11000DM/P10/15	TORNILLO 6X16 MOTOR DIESEL 10HP
P10	17	DTL11000DM/P10/17	ANCLAJE FILTRO AIRE COMPLETO MOTOR DIESEL 10HP
P10	18	DTL11000DM/P10/18	JUNTA FILTRO AIRE MOTOR DIESEL 10HP
P10	19	DTL11000DM/P10/19	TOMA ADMISION MOTOR DIESEL 10HP
P10	20	DTL11000DM/P10/20	JUNTA TOMA ADMISION MOTOR DIESEL 10HP

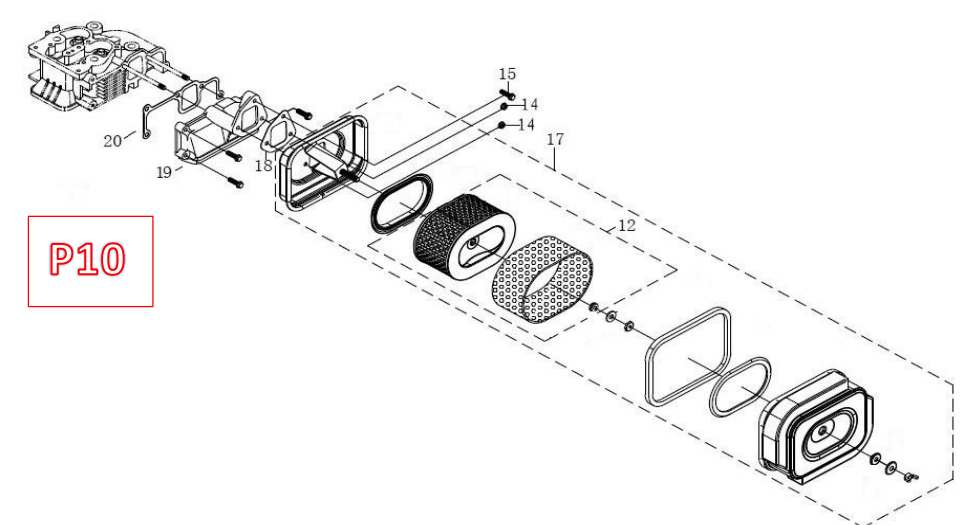
P8



P9



P10





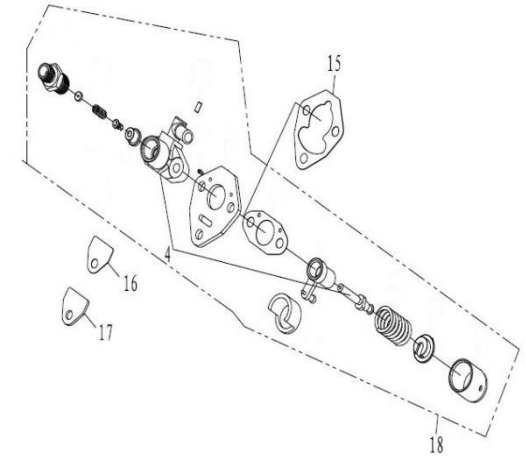
MOTOR DIESEL 10HP REF DTL11000DM

PAG	POS	REFERENCIA	DESCRIPCION
P11	15	DTL11000DM/P11/15	JUNTA BOMBA COMBUSITBLE MOTOR DIESEL 10HP
P11	16	DTL11000DM/P11/16	JUNTA VISOR BOMBA MOTOR DIESEL 10HP
P11	17	DTL11000DM/P11/17	TAPA VISOR BOMBA MOTOR DIESEL 10HP
P11	18	DTL11000DM/P11/18	BOMBA COMBUSTIBLE MOTOR DIESEL 10HP

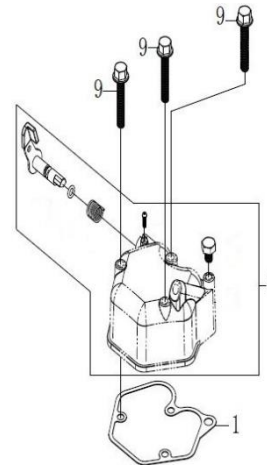
PAG	POS	REFERENCIA	DESCRIPCION
P12	1	DTL11000DM/P13/1	JUNTA TAPA VALVULAS MOTOR DIESEL 10HP
P12	2	DTL11000DM/P13/2	TAPA VALVULAS MOTOR DIESEL 10HP
P12	9	DTL11000DM/P13/9	TORNILLO 6X70 MOTOR DIESEL 10HP

PAG	POS	REFERENCIA	DESCRIPCION
P13	1	DTL11000DM/P14/1	DEPOSITO COMBUSTIBLE COMPELTO MOTOR DIESEL 10HP
P13	3	DTL11000DM/P14/3	FILTRO LLENADO MOTOR DIESEL 10HP
P13	4	DTL11000DM/P14/4	TAPON DEPOSITO MOTOR DIESEL 10HP
P13	5	DTL11000DM/P14/5	TUBO RETORNO INYECTOR MOTOR DIESEL 10HP
P13	8	DTL11000DM/P1/4	INYECTOR COMBUSTIBEL MOTOR DIESEL 10HP
P13	9	DTL11000DM/P14/9	JUNTA FILTRO COMBUSIBLE MOTOR DIESEL 10HP
P13	10	DTL11000DM/P14/10	FILTRO COMBUSIBLE MOTOR DIESEL 10HP
P13	11	DTL11000DM/P14/11	GOMA DEPOSITO MOTOR DIESEL 10HP
P13	12	DTL11000DM/P14/12	CIERRE SUP DEPOSITO MOTOR DIESEL 10HP
P13	13	DTL11000DM/P14/13	ARANDELA MOTOR DIESEL 10HP
P13	14	DTL11000DM/P14/14	TORNILLO MOTOR DIESEL 10HP
P13	15	DTL11000DM/P14/15	TORNILLO 8X45 MOTOR DIESEL 10HP
P13	16	DTL11000DM/P14/16	TUBO BOMBA-INYECTIR MOTOR DIESEL 10HP
P13	17	DTL11000DM/P11/18	BOMBA COMBUSTIBLE MOTOR DIESEL 10HP
P13	18	DTL11000DM/P14/18	TUBO COMBUSTIBLE MOTOR DIESEL 10HP
P13	21	DTL11000DM/P14/21	JUNTA GRIFO MOTOR DIESEL 10HP
P13	22	DTL11000DM/P14/22	ANILLO TORICO 13.2X1.8 MOTOR DIESEL 10HP
P13	23	DTL11000DM/P14/23	GRIFO COMBUSTIBLE MOTOR DIESEL 10HP
P13	24	DTL11000DM/P2/32	TUERCA 6 MOTOR DIESEL 10HP
P13	25	DTL11000DM/P14/25	SOPORTE INF DEPOSITO MOTOR DIESEL 10HP
P13	26	DTL11000DM/P14/26	TORNILLO 6X14 MOTOR DIESEL 10HP
P13	27	DTL11000DM/P14/27	ARANDELA VACIADO MOTOR DIESEL 10HP
P13	28	DTL11000DM/P14/28	TORNILLO VACIADO MOTOR DIESEL 10HP

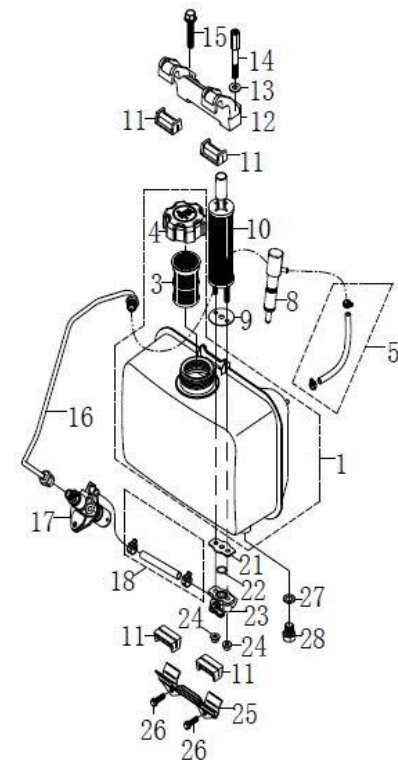
P11



P12



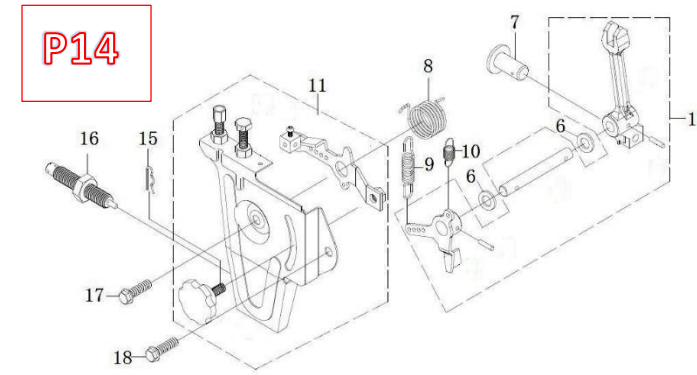
P13





MOTOR DIESEL 10HP REF DTL11000DM

PAG	POS	REFERENCIA	DESCRIPCION
P14	1	DTL11000DM/P15/1	PALANCA ACCELERADOR MOTOR DIESEL 10HP
P14	6	DTL11000DM/P15/6	ARANDELA AJUSTE MOTOR DIESEL 10HP
P14	7	DTL11000DM/P15/7	PASADOR EJE MOTOR DIESEL 10HP
P14	8	DTL11000DM/P15/8	MUELLE AJUSTE MOTOR DIESEL 10HP
P14	9	DTL11000DM/P15/9	MUELLE REGULADOR MOTOR DIESEL 10HP
P14	10	DTL11000DM/P15/10	MUELLE AJUSTE MOTOR DIESEL 10HP
P14	11	DTL11000DM/P15/11	PANEL CONTROL ACCELERADOR MOTOR DIESEL 10HP
P14	15	DTL11000DM/P15/15	PASADOR R MOTOR DIESEL 10HP
P14	16	DTL11000DM/P15/16	CONTROL COMBUSTIBLE MOTOR DIESEL 10HP
P14	17	DTL11000DM/P2/14	TORNILLO 6X20 MOTOR DIESEL 10HP
P14	18	DTL11000DM/P3/12	TORNILLO 6X12 MOTOR DIESEL 10HP



PAG	POS	REFERENCIA	DESCRIPCION
P15	1	DTL11000DM/P16/1	JUNTA SILENCIOSO MOTOR DIESEL 10HP
P15	2	DTL11000DM/P16/2	SILENCIOSO MOTOR DIESEL 10HP
P15	3	DTL11000DM/P16/3	ARANDELA ELASTICA 8 MOTOR DIESEL 10HP
P15	4	DTL11000DM/P16/4	TUERCA 8 MOTOR DIESEL 10HP
P15	5	DTL11000DM/P16/5	TORNILLO 8X16 MOTOR DIESEL 10HP

