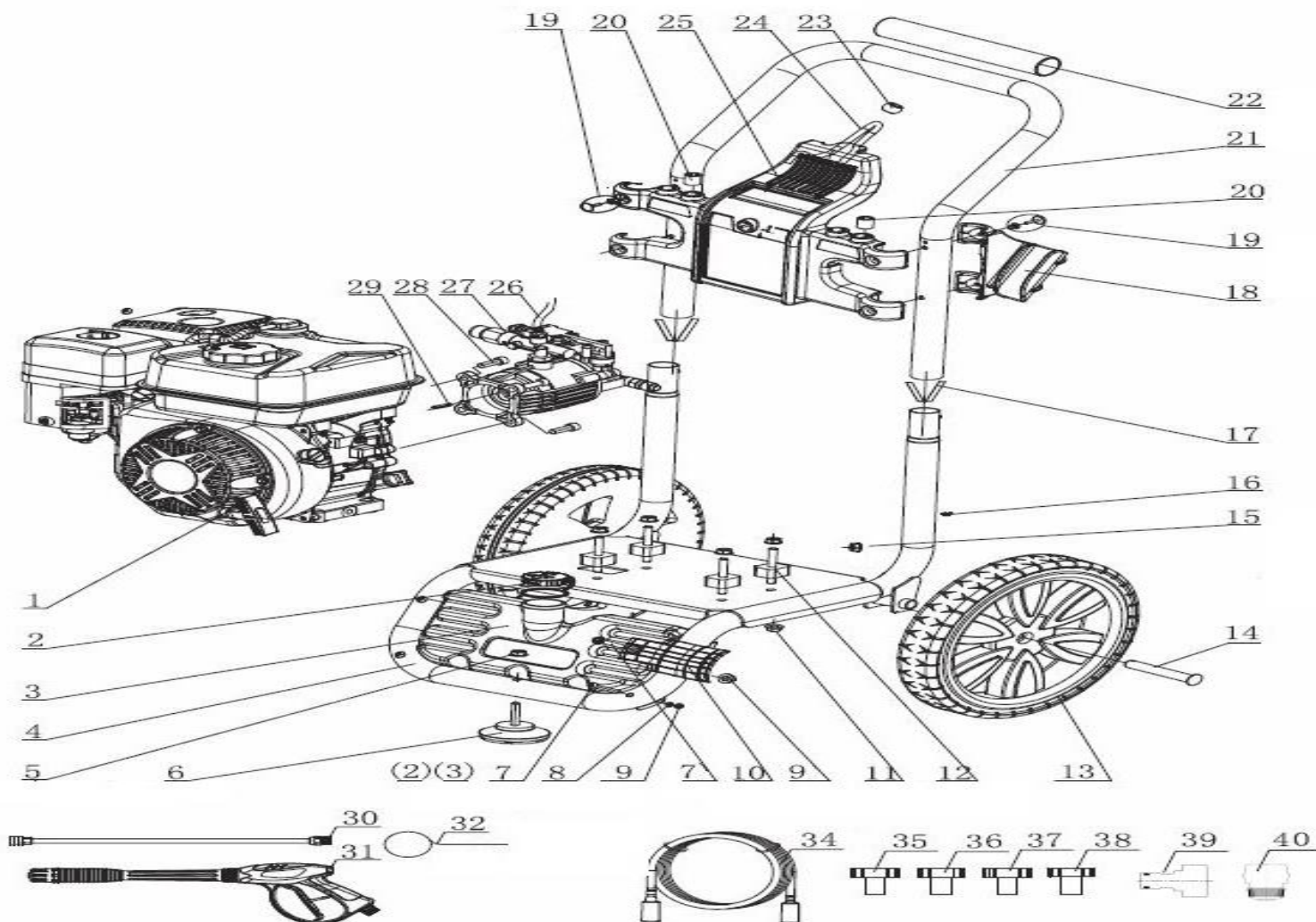




HIDROLIMPIADORA GASOLINA REF: DPW893100G

P1



VERSION 2.0



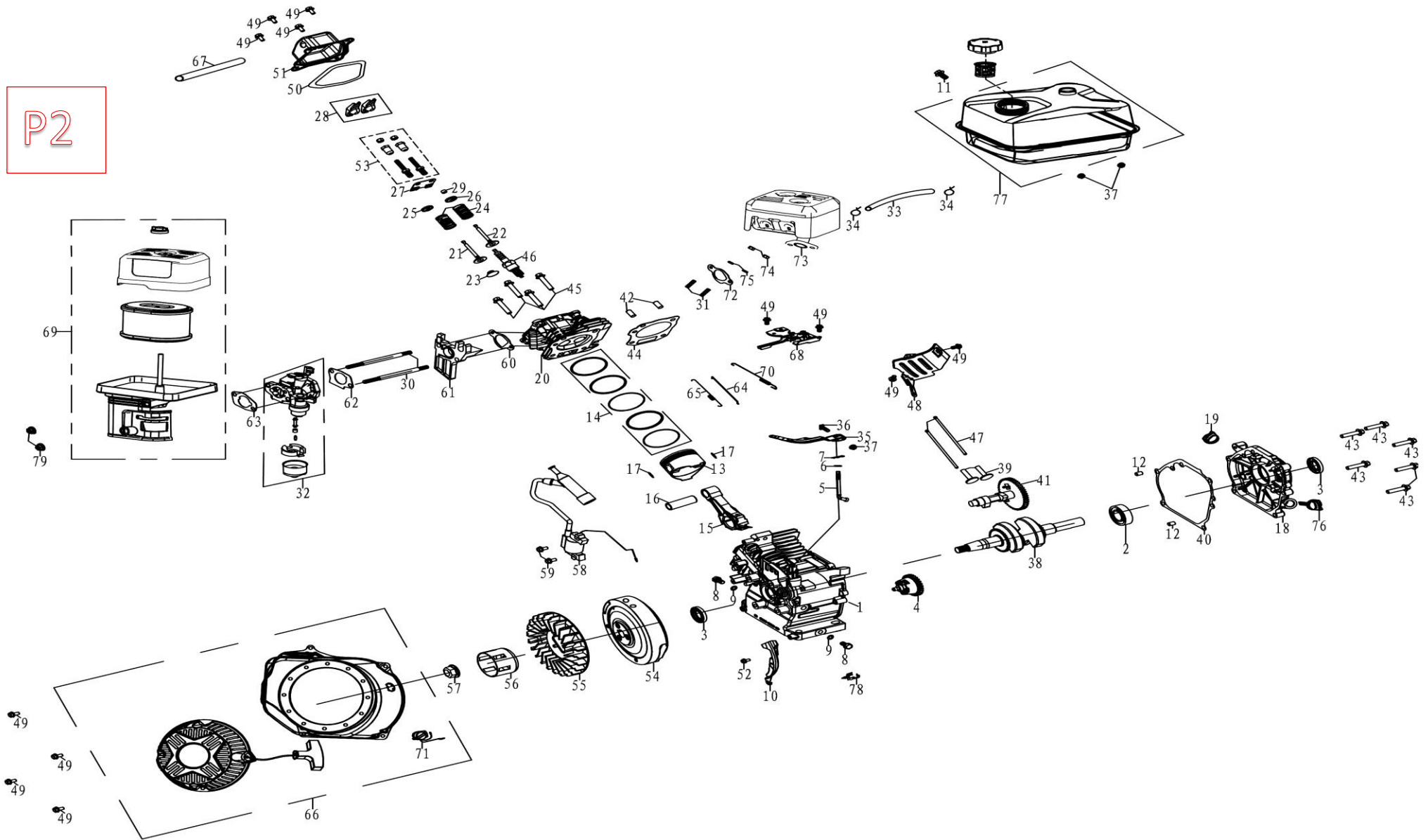
HIDROLIMPIADORA GASOLINA REF: DPW893100G

PAG	POS	REFERENCIA	DESCRIPCION	CANT	PAG	POS	REFERENCIA	DESCRIPCION	CANT
P1	1	DPW893100G/P1/1	MOTOR COMPLETO DPG3100G	1	P1	21	DPW893100G/P1/21	MANILLAR SUPERIOR DPG3100G	1
P1	2	DPW893100G/P1/2	TAPON DEPOSITO DETERGENTE DPG3100G	1	P1	22	DPW893100G/P1/22	ESPUMA DPG3100G	1
P1	3	DPW893100G/P1/3	DEPOSITO DETERGENTE DPG3100G	1	P1	23	DPW893100G/P1/23	TOPE GOMA MANGUERA DPW3100G DPG3100G	1
P1	4	DPW893100G/P1/4	CHASIS INFERIOR DPG3100G	1	P1	24	DPW893100G/P1/24	GOMA SUJETA MANGUERA DPG3100G	1
P1	5	DPW893100G/P1/5	TUERCA 8 DPG3100G	1	P1	25	DPW893100G/P1/25	SALPICADERO DPG3100G	1
P1	6	DPW893100G/P1/6	PATA DPG3100G	1	P1	26	DPW893100G/P1/26	TUBO DETERGENTE DPG3100G	1
P1	7	DPW893100G/P1/7	TORNILLO DPG3100G	5	P1	27	DPW893100G/P1/27	BOMBA COMPLETA DPG3100G	1
P1	8	DPW893100G/P1/8	ARANDELA DPG3100G	4	P1	28	DPW893100G/P1/28	TORNILLO 8*20 DPG3100G	4
P1	9	DPW893100G/P1/9	TUERCA6 DPG3100G	1	P1	29	DPW893100G/P1/29	CHAVETA DPG3100G	1
P1	10	DPW893100G/P1/10	SOPORTE PISTOLA DPG3100G	5	P1	30	DPW893100G/P1/30	LANZA DPG3100G	1
P1	11	DPW893100G/P1/11	TUERCA 8 DPG3100G	8	P1	31	DPW893100G/P1/31	PISTOLA DPG3100G	1
P1	12	DPW893100G/P1/12	TACOS MOTOR DPG3100G	4	P1	32	DPW893100G/P1/32	AGUJA LIMPIEZA DPG3100G	1
P1	13	DPW893100G/P1/13	RUEDA DPG3100G	2	P1	34	DPW893100G/P1/34	MANGUERA PRESION DPG3100G	1
P1	14	DPW893100G/P1/14	EJE RUEDA DPG3100G	2	P1	35	DPW893100G/P1/35	BOQUILLA 1 DPG3100G	1
P1	15	DPW893100G/P1/15	TUERCA EJE RUEDA DPG3100G	2	P1	36	DPW893100G/P1/36	BOQUILLA 2 DPG3100G	1
P1	16	DPW893100G/P1/16	CLIP DPG3100G	2	P1	37	DPW893100G/P1/37	BOQUILLA 3 DPG3100G	1
P1	17	DPW893100G/P1/17	RESORTES MANILLAR DPG3100G	2	P1	38	DPW893100G/P1/38	BOQUILLA 4 DPG3100G	1
P1	18	DPW893100G/P1/18	SOPORTE PISTOLA SUPERIOR DPG3100G	1	P1	39	DPW893100G/P1/39	CONECTOR MANGUERA ENTRADA DPG3100G	1
P1	19	DPW893100G/P1/19	TORNILLO DPG3100G	6	P1	40	DPW893100G/P1/40	CONECTOR RAPIDO MANGUERA ENTRADA DPG3100G	1
P1	20	DPW893100G/P1/20	SOPORTE BOQUILLAS DPG3100G	5					



HIDROLIMPIADORA GASOLINA REF: DPW893100G

P2



VERSION 2.0



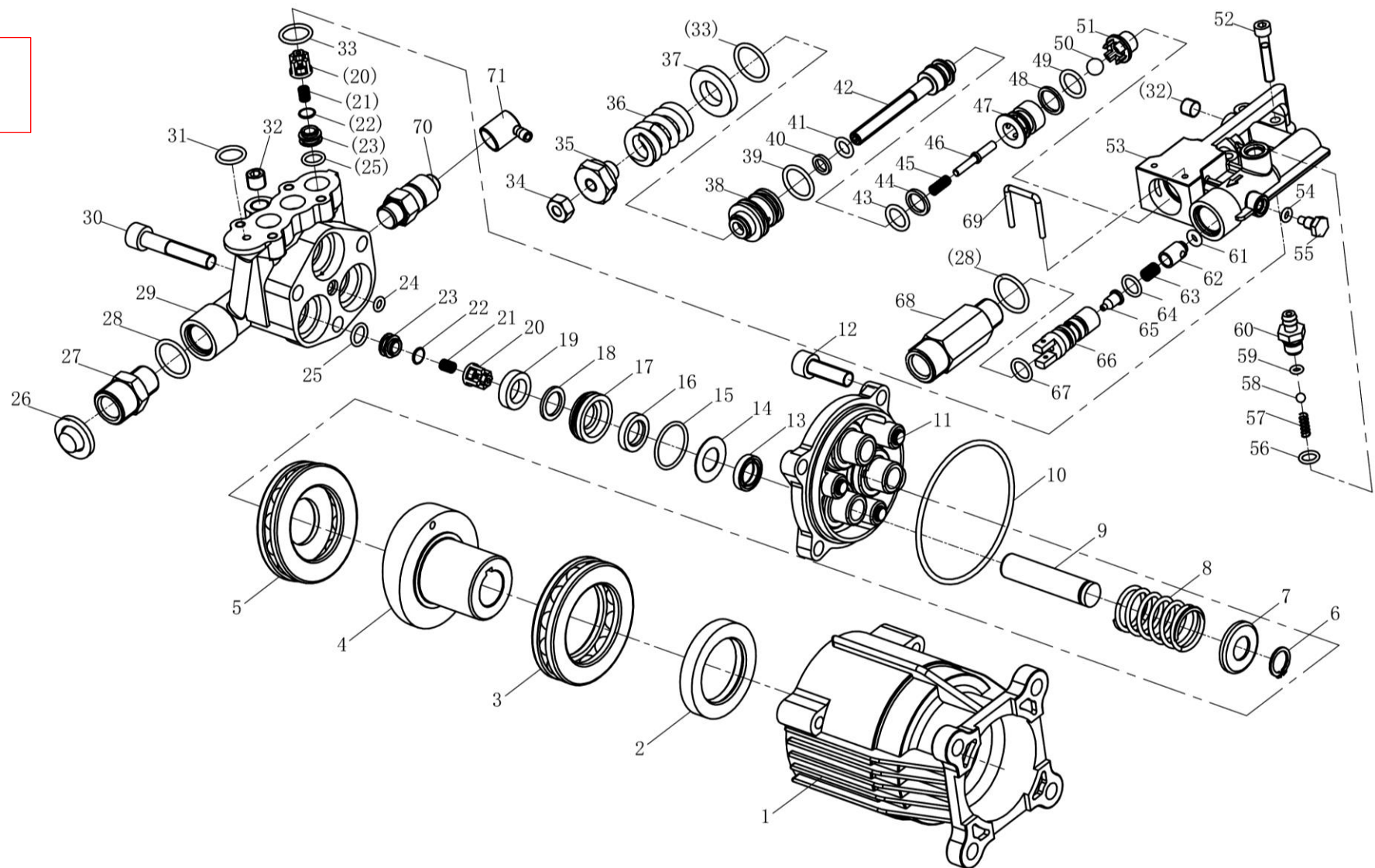
HIDROLIMPIADORA GASOLINA REF: DPW893100G

PAG	POS	REFERENCIA	DESCRIPCION	CANT	PAG	POS	REFERENCIA	DESCRIPCION	CANT
P2	1	DPW893100G/P2/1	CILINDRO DPG3100G	1	P2	40	DPW893100G/P2/40	JUNTA TAPA CARTER DPG3100G	1
P2	2	DPW893100G/P2/2	RODAMIENTO DPG3100G	1	P2	41	DPW893100G/P2/41	ARBOL DE LEVAS DPG3100G	1
P2	3	DPW893100G/P2/3	RETEN DPG3100G	2	P2	42	DPW893100G/P2/42	CASQUILLO CULATA DPG3100G	2
P2	4	DPW893100G/P2/4	REGULADOR COMPLETO DPG3100G	1	P2	43	DPW893100G/P2/43	TORNILLO 8*30 DPG3100G	6
P2	5	DPW893100G/P2/5	EJE REGULADOR DPG3100G	1	P2	44	DPW893100G/P2/44	JUNTA CULATA DPG3100G	1
P2	6	DPW893100G/P2/6	ARANDELA EJE REGULADOR DPG3100G	1	P2	45	DPW893100G/P2/45	TORNILLO 8*60 DPG3100G	4
P2	7	DPW893100G/P2/7	PASADOR DPG3100G	1	P2	46	CTR7F	BUJIA DPG3100G	1
P2	8	DPW893100G/P2/8	TORNILLO VACIADO DPG3100G	2	P2	47	DPW893100G/P2/47	VARILLA EMPUJADORA DPG3100G	2
P2	9	DPW893100G/P2/9	ARANDELA VACIADO DPG3100G	2	P2	48	DPW893100G/P2/48	CHAPA AIREACION CULATA DPG3100G	1
P2	10	DPW893100G/P2/10	CHAPA AIREACION LATERAL DPG3100G	1	P2	49	DPW893100G/P2/49	TORNILLO 6*12 DPG3100G	12
P2	11	DPW893100G/P2/11	TORNILLO 6*28 DPG3100G	1	P2	50	DPW893100G/P2/50	JUNTA TAPA VALVULAS DPG3100G	1
P2	12	DPW893100G/P2/12	CASQUILLO TAPA CARTER DPG3100G	2	P2	51	DPW893100G/P2/51	TAPA VALVULAS DPG3100G	1
P2	13	DPW893100G/P2/13	PISTON DPG3100G	1	P2	52	DPW893100G/P2/52	TORNILLO 6*20 DPG3100G	1
P2	14	DPW893100G/P2/14	JUEGO SEGMENTOS DPG3100G	1	P2	53	DPW893100G/P2/53	KIT REGULACION VALVULAS DPG3100G	2
P2	15	DPW893100G/P2/15	BIELA DPG3100G	1	P2	54	DPW893100G/P2/54	VOLANTE MAGNETICO DPG3100G	1
P2	16	DPW893100G/P2/16	BULON DPG3100G	1	P2	55	DPW893100G/P2/55	VENTILADOR DPG3100G	1
P2	17	DPW893100G/P2/17	CLIP BULON DPG3100G	2	P2	56	DPW893100G/P2/56	POLEA ARRANCADORA DPG3100G	1
P2	18	DPW893100G/P2/18	TAPA CARTER DPG3100G	1	P2	57	DPW893100G/P2/57	TUERCA DPG3100G	1
P2	19	DPW893100G/P2/19	TAPON LLENADO DPG3100G	1	P2	58	DPW893100G/P2/58	BOBINA DE ARRANQUE DPG3100G	1
P2	20	DPW893100G/P2/20	CULATA DPG3100G	1	P2	60	DPW893100G/P2/60	JUNTA ADMISION DPG3100G	1
P2	21	DPW893100G/P2/21	VALVULA ADMISION DPG3100G	1	P2	61	DPW893100G/P2/61	SEPARADOR TERMICO DPG3100G	1
P2	22	DPW893100G/P2/22	VALVULA ESCAPE DPG3100G	1	P2	62	DPW893100G/P2/62	JUNTA CARBURADOR DPG3100G	1
P2	23	DPW893100G/P2/23	ASIEN TO MUELLE DPG3100G	1	P2	63	DPW893100G/P2/63	JUNTA FILTRO AIRE DPG3100G	1
P2	24	DPW893100G/P2/24	MUELLE VALVULA DPG3100G	2	P2	64	DPW893100G/P2/64	VARILLA ACELERADOR DPG3100G	1
P2	25	DPW893100G/P2/25	PLATILLO VALVULA ADMISION DPG3100G	1	P2	65	DPW893100G/P2/65	MUELLE RETORNO DPG3100G	1
P2	26	DPW893100G/P2/26	PLATILLO VALVULA ESCAPE DPG3100G	1	P2	66	DPW893100G/P2/66	ARRANCADOR COMPLETO CON CARCASA DPG3100G	1
P2	27	DPW893100G/P2/27	CHAPA GUIA VARILLAS DPG3100G	1	P2	67	DPW893100G/P2/67	TUBO RESPIRADERO DPG3100G	1
P2	28	DPW893100G/P2/28	BALANCINES DPG3100G	2	P2	68	DPW893100G/P2/68	ACELERADOR DPG3100G	1
P2	29	DPW893100G/P2/29	CASQUILLO VALVULA DPG3100G	1	P2	69	DPW893100G/P2/69	ANCLAJE FILTRO AIRE DPG3100G	1
P2	30	DPW893100G/P2/30	ESPARRAGO ADMISION DPG3100G	2	P2	70	DPW893100G/P2/70	MUELLE REGULADOR DPG3100G	1
P2	31	DPW893100G/P2/31	ESPARRAGO ESCAPE DPG3100G	2	P2	71	DPW893100G/P2/71	INTERRUPTOR ON/OFF DPG3100G	1
P2	32	DPW893100G/P2/32	CARBURADOR DPG3100G	1	P2	72	DPW893100G/P2/72	JUNTA SILENCIOSO DPG3100G	1
P2	33	DPW893100G/P2/33	TUBO GASOLINA DPG3100G	1	P2	73	DPW893100G/P2/73	SILENCIOSO DPG3100G	1
P2	34	DPW893100G/P2/34	CLIP TUBO DPG3100G	2	P2	74	DPW893100G/P2/74	TUERCA DPG3100G	2
P2	35	DPW893100G/P2/35	BRAZO REGULADOR DPG3100G	1	P2	75	DPW893100G/P2/75	ARANDELA DPG3100G	2
P2	36	DPW893100G/P2/36	TORNILLO BRAZO DPG3100G	1	P2	76	DPW893100G/P2/76	VARILLA NIVEL ACEITE DPG3100G	1
P2	37	DPW893100G/P2/37	TUERCA DPG3100G	3	P2	77	DPW893100G/P2/77	DEPOSITO COMPLETO DPG3100G	1
P2	38	DPW893100G/P2/38	CIGÜEÑAL DPG3100G	1	P2	78	DPW893100G/P2/78	CLIP DPG3100G	1
P2	39	DPW893100G/P2/39	TAQUE DPG3100G	2	P2	79	DPW893100G/P2/79	TUERCA 6 DPG3100G	2



HIDROLIMPIADORA GASOLINA REF: DPW893100G

P3



VERSION 2.0



HIDROLIMPIADORA GASOLINA REF: DPW893100G

PAG	POS	REFERENCIA	DESCRIPCION	CANT	PAG	POS	REFERENCIA	DESCRIPCION	CANT
P3	1	DPW893100G/P3/1	CARCASA BOMBA DPG3100G	1	P3	36	DPW893100G/P3/36	RESORTE REGULADOR PRESION DPG3100G	1
P3	2	DPW893100G/P3/2	RETEN DPG3100G	1	P3	37	DPW893100G/P3/37	ARANDELA DPG3100G	1
P3	3	DPW893100G/P3/3	RODAMIENTO AXIAL 1 DPG3100G	1	P3	38	DPW893100G/P3/38	TAPA VALVULA DPG3100G	1
P3	4	DPW893100G/P3/4	EXCENTRICA DPG3100G	1	P3	39	DPW893100G/P3/39	TORICA 14,42*1,78 DPG3100G	1
P3	5	DPW893100G/P3/5	RODAMIENTO AXIAL 2 DPG3100G	1	P3	40	DPW893100G/P3/40	ANILLO DE REFUERZO DPG3100G	1
P3	6	DPW893100G/P3/6	ARANDELA DPG3100G	3	P3	41	DPW893100G/P3/41	TORICA 6,07*1,78 DPG3100G	1
P3	7	DPW893100G/P3/7	PLACA DPG3100G	3	P3	42	DPW893100G/P3/42	EJE VALVULA REGULADORA DPG3100G	1
P3	8	DPW893100G/P3/8	RESORTE DPG3100G	3	P3	43	DPW893100G/P3/43	TORICA 8,5*1,8 DPG3100G	1
P3	9	DPW893100G/P3/9	PISTON DPG3100G	3	P3	44	DPW893100G/P3/44	ANILLO 8,7*11,6*1,25 DPG3100G	1
P3	10	DPW893100G/P3/10	TORICA DPG3100G	1	P3	45	DPW893100G/P3/45	RESORTE DPG3100G	1
P3	11	DPW893100G/P3/11	ASIENTO RETEN DPG3100G	1	P3	46	DPW893100G/P3/46	EJE DPG3100G	1
P3	12	DPW893100G/P3/12	TORNILLO 8*25 DPG3100G	4	P3	47	DPW893100G/P3/47	ASIENTO SUPERIOR DPG3100G	1
P3	13	DPW893100G/P3/13	RETEN 12*20*6 DPG3100G	3	P3	48	DPW893100G/P3/48	ANILLO 10,3*13*1,25 DPG3100G	1
P3	14	DPW893100G/P3/14	ARANDELA DPG3100G	3	P3	49	DPW893100G/P3/49	TORICA 10*1,8 DPG3100G	1
P3	15	DPW893100G/P3/15	TORICA 22,4*1,8 DPG3100G	3	P3	50	DPW893100G/P3/50	BOLA DE ACERO 7/9 DPG3100G	1
P3	16	DPW893100G/P3/16	RETEN 12*20*4 DPG3100G	3	P3	51	DPW893100G/P3/51	ASIENTO INFERIOR DPG3100G	1
P3	17	DPW893100G/P3/17	SOPORTE RETEN DPG3100G	3	P3	52	DPW893100G/P3/52	TORNILLO 5*30 DPG3100G	1
P3	18	DPW893100G/P3/18	ARANDELA DPG3100G	3	P3	53	DPW893100G/P3/53	CARCASA VALVULA REGULADORA DPG3100G	5
P3	19	DPW893100G/P3/19	CUERO DPG3100G	3	P3	54	DPW893100G/P3/54	TORICA 4*2 DPG3100G	1
P3	20	DPW893100G/P3/20	JAULA VALVULA DPG3100G	6	P3	55	DPW893100G/P3/55	TAPON DPG3100G	1
P3	21	DPW893100G/P3/21	RESORTE VALVULA DPG3100G	6	P3	56	DPW893100G/P3/56	TORICA 7,65*1,78 DPG3100G	1
P3	22	DPW893100G/P3/22	TORICA DPG3100G	6	P3	57	DPW893100G/P3/57	RESORTE ENTRADA JABON DPG3100G	1
P3	23	DPW893100G/P3/23	ASIENTO VALVULA DPG3100G	6	P3	58	DPW893100G/P3/58	BOLA 3/16 DPG3100G	1
P3	24	DPW893100G/P3/24	TORICA 4,5*1,8 DPG3100G	1	P3	59	DPW893100G/P3/59	TORICA 3,68*1,78 DPG3100G	1
P3	25	DPW893100G/P3/25	TORICA 9*1,8 DPG3100G	6	P3	60	DPW893100G/P3/60	TUBO ENTRADA DETERGENTE DPG3100G	1
P3	26	DPW893100G/P3/26	FILTRO ENTRADA DPG3100G	1	P3	61	DPW893100G/P3/61	TORICA 4*2,65 DPG3100G	1
P3	27	DPW893100G/P3/27	CONECTRO ENTRADA G3/4 DPG3100G	1	P3	62	DPW893100G/P3/62	VALVULA UNILATERAL DPG3100G	1
P3	27	DPW893100G/P3/272	CONECTRO ENTRADA NH3/4 DPG3100G		P3	63	DPW893100G/P3/63	RESORTE VALVULA UNILATERAL DPG3100G	1
P3	28	DPW893100G/P3/28	TORICA 14*1,8 DPG3100G	2	P3	64	DPW893100G/P3/64	TORICA 9*1,8 DPG3100G	1
P3	29	DPW893100G/P3/29	CULATA DPG3100G	1	P3	65	DPW893100G/P3/65	BOQUILLA DPG3100G	1
P3	30	DPW893100G/P3/30	TORNILLO 8*45 DPG3100G	3	P3	66	DPW893100G/P3/66	TUBO VENTURI DPG3100G	1
P3	31	DPW893100G/P3/31	TORICA 12*2 DPG3100G	1	P3	67	DPW893100G/P3/67	TORICA 10*1,8 DPG3100G	1
P3	32	DPW893100G/P3/32	TAPON DPG3100G	2	P3	68	DPW893100G/P3/68	CONECTOR MAGUERA SALIDA DPG3100G	1
P3	33	DPW893100G/P3/33	TORICA 14*2 DPG3100G	4	P3	69	DPW893100G/P3/69	PASADOR DPG3100G	1
P3	34	DPW893100G/P3/34	TUERCA 6 DPG3100G	1	P3	70	DPW893100G/P3/70	VALVULA ALIVIO PRESION DPG3100G	1
P3	35	DPW893100G/P3/35	TUERCA REGULADORA DPG3100G	1	P3	71	DPW893100G/P3/71	PROTECTOR SALIDA DPG3100G	1