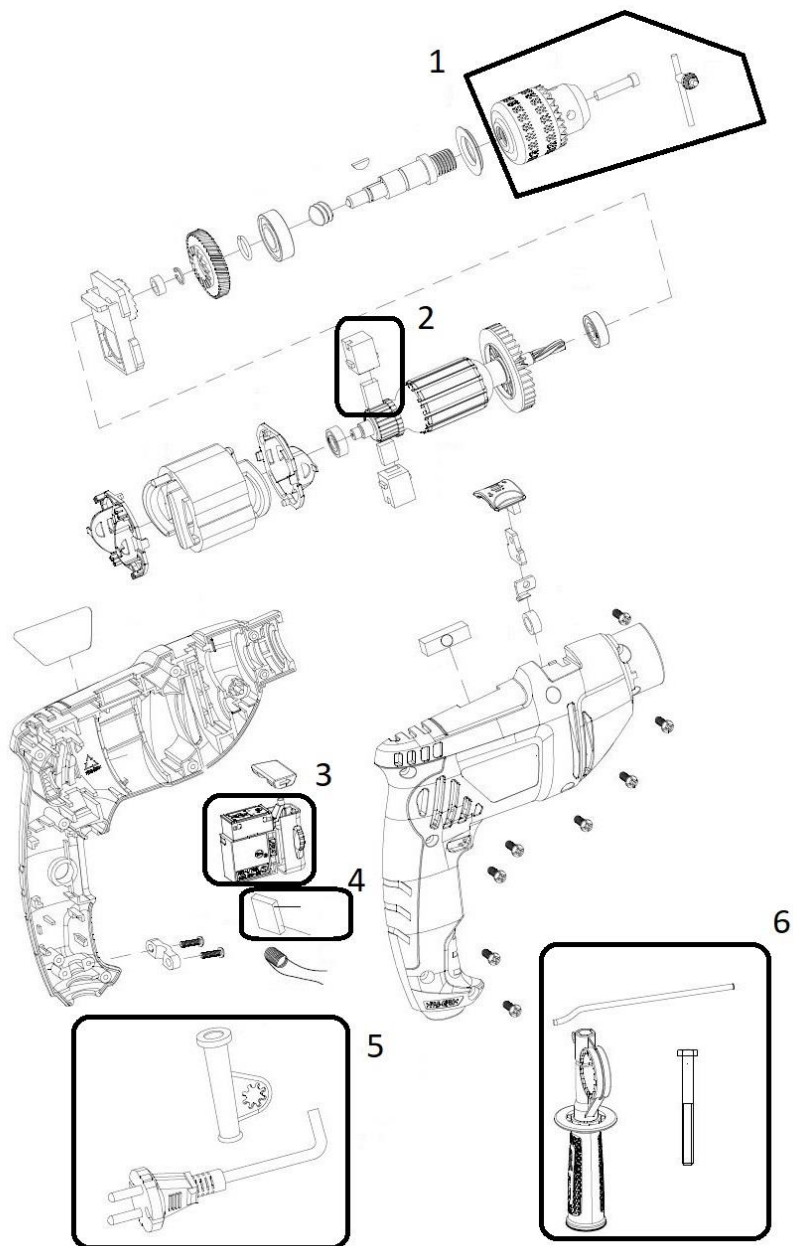




TALADRO DE IMPACTO DUCATI DID0613/S



| POS | REFERENCIA | DESCRIPCION |
|-----|------------|---|
| 1 | DID0613/1 | KIT PORTABROCAS + LLAVE TALADRO DE IMPACTO DUCATI DID0613/S |
| 2 | DID0613/2 | KIT ESCOBILLA TALADRO DE IMPACTO DUCATI DID0613/S |
| 3 | DID0613/3 | INTERRUPTOR ON/OFF TALADRO DE IMPACTO DUCATI DID0613/S |
| 4 | DID0613/4 | CONDENSADOR TALADRO DE IMPACTO DUCATI DID0613/S |
| 5 | DID0613/5 | CABLE RED CON GOMA TALADRO DE IMPACTO DUCATI DID0613 |
| 5 | DID0613S/5 | CABLE RED CON GOMA TALADRO DE IMPACTO DUCATI DID0613S |
| 6 | DID0613/6 | KIT EMPUÑADURA AUXILIAR TALADRO DE IMPACTO DUCATI DID0613/S |

VERSION 1.0