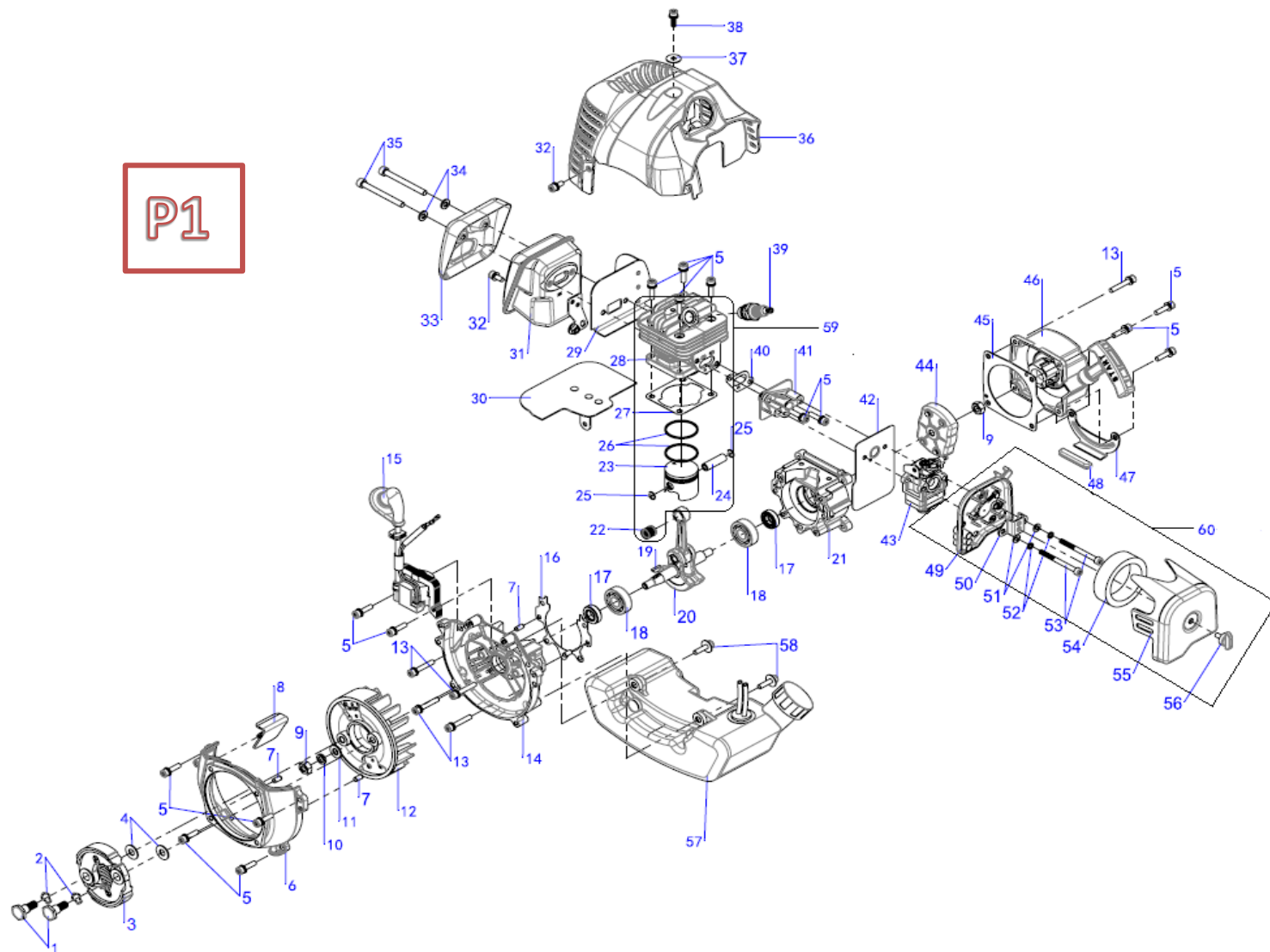




# MULTICUTTER DBC303310M REF: DBC303310M

AG	POS	REFERENCIAS	DESCRIPCION
P1	1	DBC303310M/P1/1	TORNILLO EMBRAGUE DBC3300M
P1	2	DBC303310M/P1/2	ARANDELA AJUSTE DBC3300M
P1	3	DBC303310M/P1/3	EMBRAGUE DBC3300M
P1	4	DBC303310M/P1/4	ARANDELA EMBRAGUE DBC3300M
P1	5	DBC303310M/P1/5	TORNILLO M5X20 DBC3300M
P1	6	DBC303310M/P1/6	CARCASA VOLANTE DBC3300M
P1	7	DBC303310M/P1/7	CASQUILLO DBC3300M
P1	8	DBC303310M/P1/8	GUIA AIREACION DBC3300M
P1	9	DBC303310M/P1/9	TUERCA 8 DBC3300M
P1	10	DBC303310M/P1/10	ARANDELA ELASTICA 8 DBC3300M
P1	11	DBC303310M/P1/11	ARANDELA PLANA DBC3300M
P1	12	DBC303310M/P1/12	VOLANTE MAGNETICO DBC3300M
P1	13	DBC303310M/P1/13	TORNILLO M5X30 DBC3300M
P1	14	DBC303310M/P1/14	CARTER LADO VOLANTE DBC3300M
P1	15	DBC303310M/P1/15	BOBINA DE ARRANQUE DBC3300M
P1	16	DBC303310M/P1/16	JUNTA CARTER DBC3300M
P1	17	DBC303310M/P1/17	RETEN 12X22X7 DBC3300M
P1	18	DBC303310M/P1/18	RODAMIENTO 6201 DBC3300M
P1	19	DBC303310M/P1/19	CHAVETA DBC3300M
P1	20	DBC303310M/P1/20	CIGÜEÑAL DBC3300M
P1	21	DBC303310M/P1/21	CARTER LADO ARRANCADOR DBC3300M
P1	22	DBC303310M/P1/22	RODAMIENTO AGUIJAS DBC3300M
P1	23	DBC303310M/P1/23	PISTON DBC3300M
P1	24	DBC303310M/P1/24	BULON DBC3300M
P1	25	DBC303310M/P1/25	CLIP BULON DBC3300M
P1	26	DBC303310M/P1/26	SEGMENTO DBC3300M
P1	27	DBC303310M/P1/27	JUNTA CILINDRO DBC3300M
P1	28	DBC303310M/P1/28	CILINDRO DBC3300M
P1	29	DBC303310M/P1/29	JUNTA SILENCIOSO EUIII DBC3300M
P1	30	DBC303310M/P1/30	JUNTA SILENCIOSO EUI DBC3300M
P1	31	DBC303310M/P1/31	SILENCIOSO EUI DBC3300M
P1	31	DBC303310M/P1/312	SILENCIOSO EUIII DBC3300M
P1	32	DBC303310M/P1/32	TORNILLO M5X12 DBC3300M
P1	33	DBC303310M/P1/33	TAPA SILENCIOSO DBC3300M
P1	34	DBC303310M/P1/34	ARANDELA ANCHA 6 DBC3300M
P1	35	DBC303310M/P1/35	TORNILLO M6X60 DBC3300M
P1	36	DBC303310M/P1/36	CARCASA AIREACION DBC3300M
P1	37	DBC303310M/P1/37	ARANDELA PLANA DBC3300M
P1	38	DBC303310M/P1/38	TORNILLO M5X16 DBC3300M
P1	40	DBC303310M/P1/40	JUNTA ADMISION DBC3300M
P1	41	DBC303310M/P1/41	SEPARADOR TERMICO DBC3300M
P1	42	DBC303310M/P1/42	JUNTA CARBURADOR DBC3300M
P1	43	DBC303310M/P1/43	CARBURADOR DBC3300M
P1	44	DBC303310M/P1/44	POLEA ARRANCADOR DBC3300M
P1	45	DBC303310M/P1/45	CHAPA ARRANCADOR DBC3300M
P1	46	DBC303310M/P1/46	ARRANCADOR COMPLETO DBC3300M
P1	47	DBC303310M/P1/47	SOPORTE DEPOSITO DBC3300M
P1	48	DBC303310M/P1/48	GOMA AJUSTE SOPORTE DEPOSITO DBC3300M
P1	49	DBC303310M/P1/49	BASE FILTRO AIRE DBC3300M
P1	50	DBC303310M/P1/50	SUJECCION BASE FILTRO AIRE DBC3300M
P1	51	DBC303310M/P1/51	ARANDELA PLANA 5 DBC3300M
P1	52	DBC303310M/P1/52	ARANDELA ELASTICA 5 DBC3300M
P1	53	DBC303310M/P1/53	TORNILLO M5X55 DBC3300M
P1	54	DBC303310M/P1/54	ELEMENTO FILTRO AIRE DBC3300M
P1	55	DBC303310M/P1/55	TAPA FILTRO AIRE DBC3300M
P1	56	DBC303310M/P1/56	TORNILLO TAPA FILTRO AIRE DBC3300M
P1	57	DBC303310M/P1/57	DEPOSITO GASOLINA COMPLETO DBC3300M
P1	58	DBC303310M/P1/58	TORNILLO M5X55 DBC3300M
P1	59	DBC303310M/P1/59	KIT CILINDRO Y PISTON DBC3300M
P1	60	DBC303310M/P1/60	ANCLAJE FILTRO AIRE DBC3300M

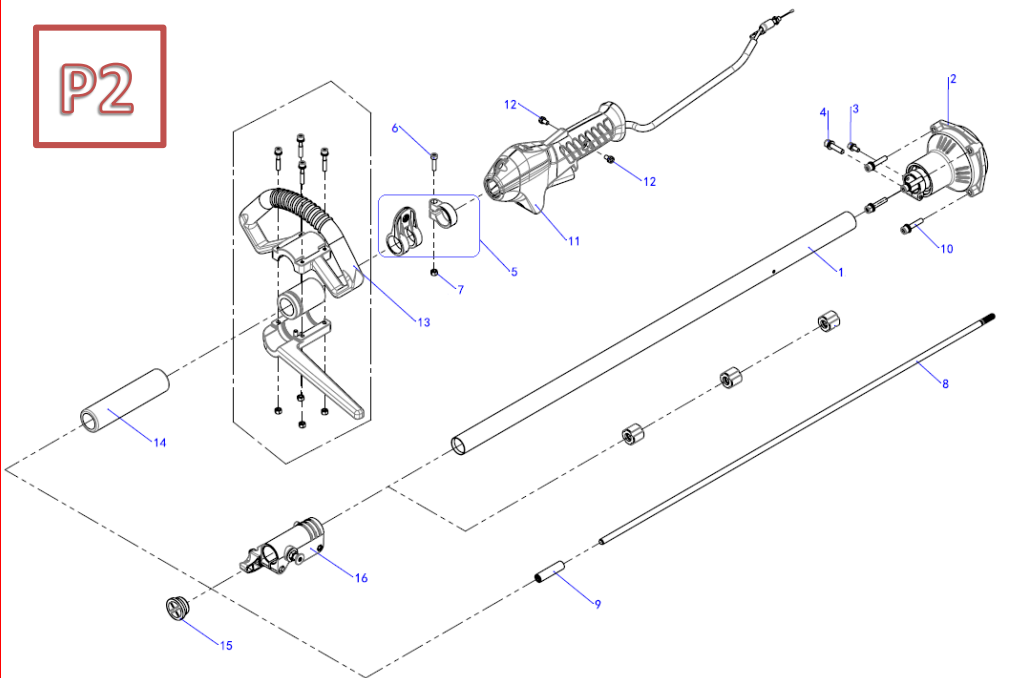
P1



VERSION 4.0

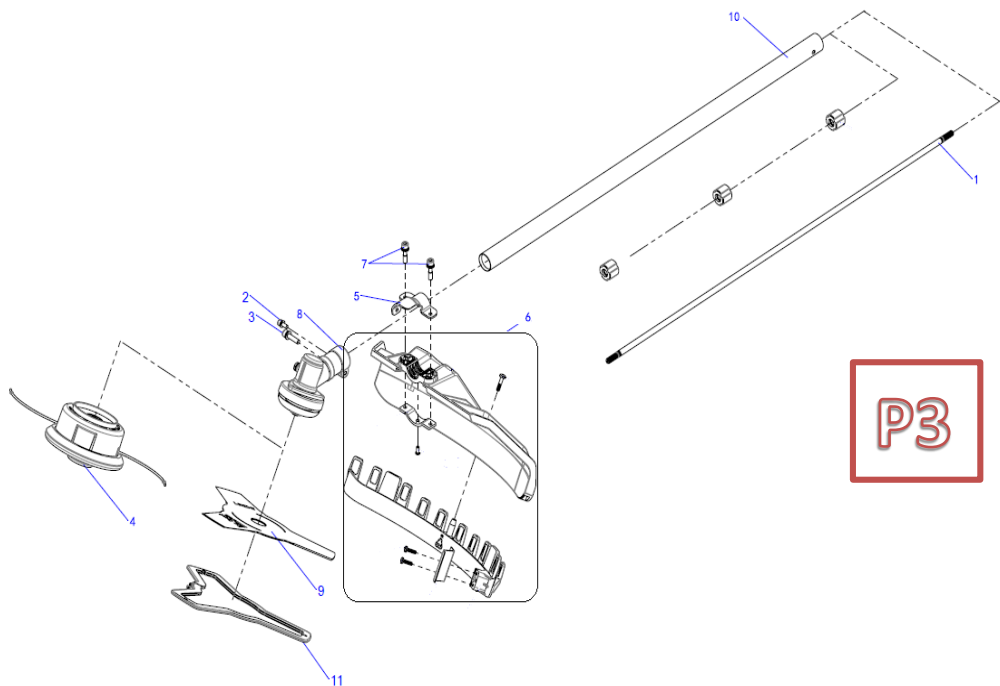
# MULTICUTTER DBC303310M REF: DBC303310M

P2



PAG	POS	REFERENCIAS	DESCRIPCION
P2	1	DBC303310M/P2/1	TUBO TRANSMISION DBC3300M
P2	2	DBC303310M/P2/2	CAMPANA EMBRAGUE COMPLETA DBC3300M
P2	3	DBC303310M/P2/3	TORNILLO M5X12 DBC3300M
P2	4	DBC303310M/P2/4	TORNILLO M6X25 DBC3300M
P2	5	DBC303310M/P2/5	SOPORTE ARNES COMPLETO DBC3300M
P2	6	DBC303310M/P2/6	TORNILLO M5X20 DBC3300M
P2	7	DBC303310M/P2/7	TUERCA 5 DBC3300M
P2	8	DBC303310M/P2/8	EJE TRANSMISION LADO MOTOR DBC3300M
P2	9	DBC303310M/P2/9	CASQUILLO UNION EJE TRANSMISION DBC3300M
P2	10	DBC303310M/P2/10	TORNILLO M6X30 DBC3300M
P2	11	DBC303310M/P2/11	MANDO ACELERADOR COMPLETO DBC3300M
P2	12	DBC303310M/P2/12	TORNILLO M5X8 DBC3300M
P2	13	DBC303310M/P2/13	MANILLAR COMPLETO DBC3300M
P2	14	DBC303310M/P2/14	ESPUMA MANILLAR DBC3300M
P2	15	DBC303310M/P2/15	TAPON EJE DBC3300M
P2	16	DBC303310M/P2/16	ENGANCHE RAPIDO DBC3300M

P3

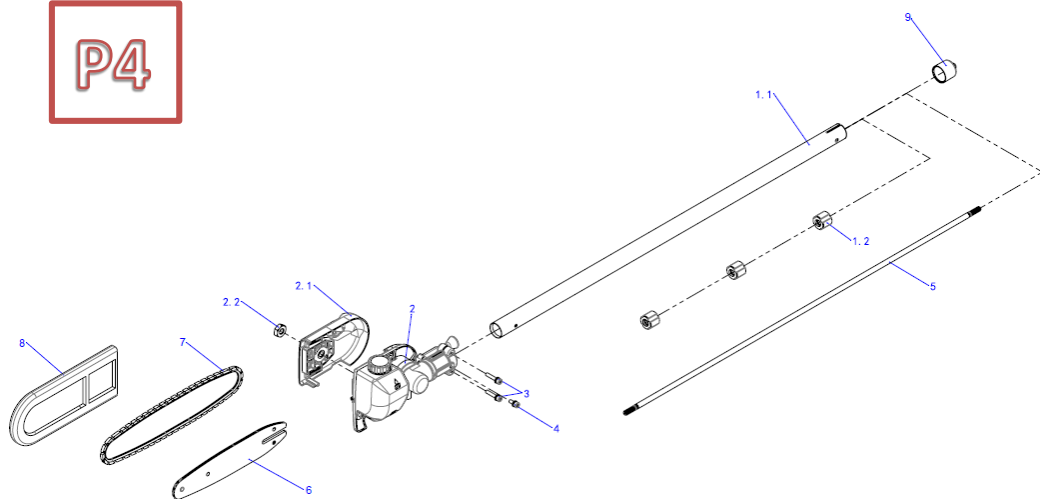


PAG	POS	REFERENCIAS	DESCRIPCION
P3	1	DBC303310M/P3/1	EJE TRANSMISION LADO CODO DBC3300M
P3	2	DBC303310M/P3/2	TORNILLO M5X12 DBC3300M
P3	3	DBC303310M/P3/3	TORNILLO M6X25 DBC3300M
P3	4	DBC303310M/P3/4	CABEZAL NYLON DBC3300M
P3	5	DBC303310M/P3/5	BRIDA SUJECCION PROTECTOR DBC3300M
P3	6	DBC303310M/P3/6	PROTECTOR COMPLETO DBC3300M
P3	7	DBC303310M/P3/7	TORNILLO M6X25 DBC3300M
P3	8	DBC303310M/P3/8	CODO TRANSMISION DBC3300M
P3	9	DBC303310M/P3/9	DISCO 3 PUNTAS DBC3300M
P3	10	DBC303310M/P3/10	TUBO TRANSMISION LADO CODO DBC3300M
P3	11	DBC303310M/P3/11	PROTECTOR DISCO 3 PUNTAS DBC3300M



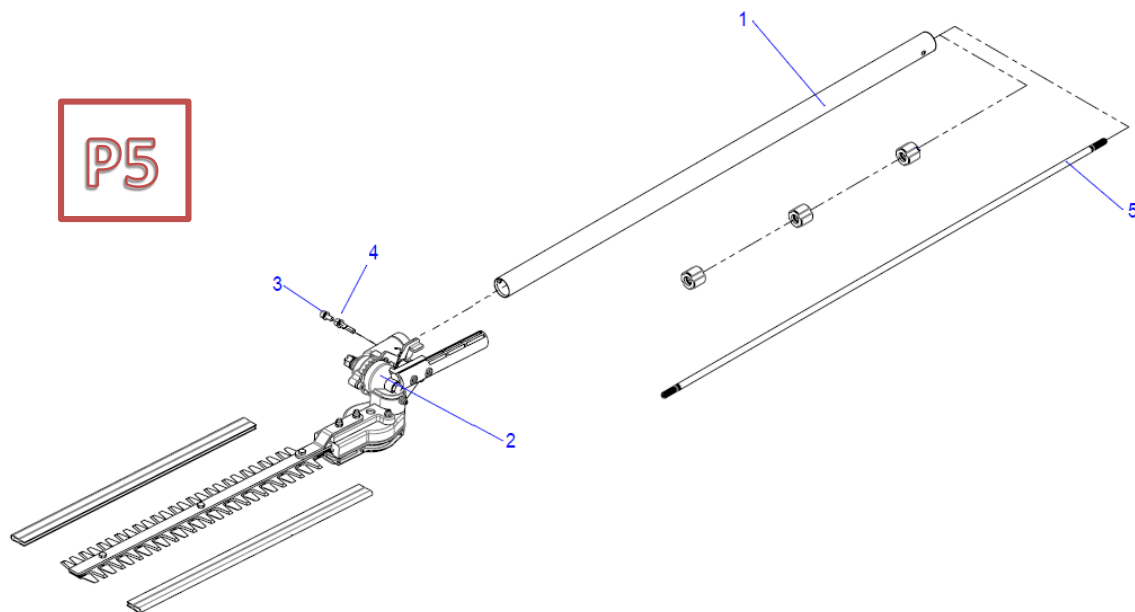
# MULTICUTTER DBC303310M REF: DBC303310M

P4



PAG	POS	REFERENCIAS	DESCRIPCION
P4	1	DBC303310M/P4/1	TUBO TRANSMISION LADO PODADORA DBC3300M
P4	2	DBC303310M/P4/2	CODO TRANSMISION COMPLETA PODADORA DBC3300M
P4	2.1	DBC303310M/P4/2,1	TAPA CADENA DBC3300M
P4	2.2	DBC303310M/P4/2,2	TUERCA 8 DBC3300M
P4	3	DBC303310M/P4/3	TORNILLO M5X25 DBC3300M
P4	4	DBC303310M/P4/4	TORNILLO M5X12 DBC3300M
P4	5	DBC303310M/P4/5	EJE TRANSMISION PODADORA DBC3300M
P4	6	DBC303310M/P4/6	ESPADA 10" DBC3300M
P4	7	DBC303310M/P4/7	CADENA 10" DBC3300M
P4	8	DBC303310M/P4/8	FUNDA ESPADA DBC3300M
SIN	POSICION	DBC303310M/P4/9	KIT TENSOR CADENA CPL DBC3300M

P5



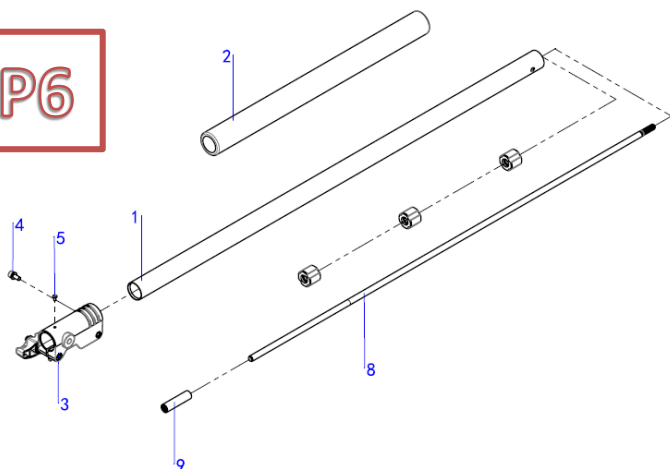
PAG	POS	REFERENCIAS	DESCRIPCION
P5	1	DBC303310M/P5/1	TUBO TRANSMISION CORTASETOS DBC3300M
P5	2	DBC303310M/P5/2	TRANSMISION COMPLETA CORTASETOS DBC3300M
P5	3	DBC303310M/P5/3	TORNILLO M5X12 DBC3300M
P5	4	DBC303310M/P5/4	TORNILLO M5X25 DBC3300M
P5	5	DBC303310M/P5/5	EJE TRANSMISION LADO CORTASETOS DBC3300M

VERSION 4.0



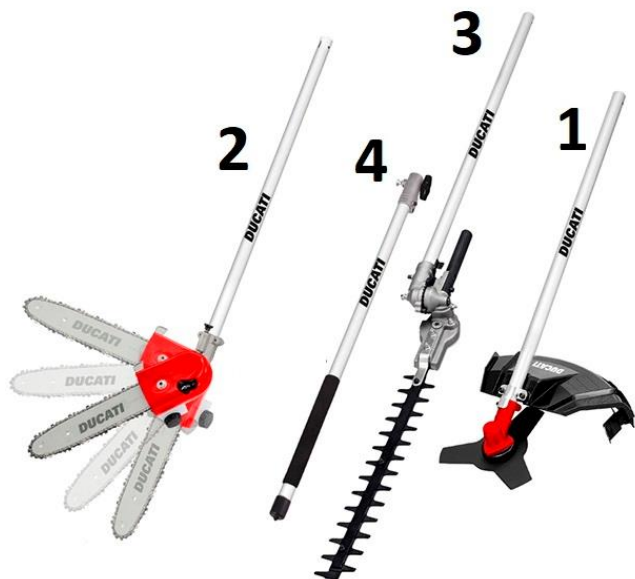
# MULTICUTTER DBC303310M REF: DBC303310M

P6



PAG	POS	REFERENCIAS	DESCRIPCION
P6	1	DBC303310M/P6/1	TUBO TRANSMISION ALAGUE DBC3300M
P6	2	DBC303310M/P6/2	ESPUMA BARRA ALARGO DBC3300M
P6	3	DBC303310M/P6/3	ENGANCHE RAPIDO ALARGO DBC3300M
P6	4	DBC303310M/P6/4	TORNILLO M5X12 DBC3300M
P6	5	DBC303310M/P6/5	TORNILLO M3X6 DBC3300M
P6	6	DBC303310M/P6/6	EJE TRANMSISION DBC3300M
P6	7	DBC303310M/P6/7	CASQUILLO UNION TRANSMISION DBC3300M

P7



PAG	POS	REFERENCIAS	DESCRIPCION
P6	1	DBC303310M/P3	ACCESORIO COMPLETO DESBROZADORA (26MM, 8MM 9 ESTRIAS)
P7	2	DBC303310M/P4	ACCESORIO SIERRA PARA PODA DBC3300M(26MM, 8MM 9 ESTRIAS)
P7	3	DBC303310M/P5	ACCESORIO CORTASETOS COMPLETO DBC3300M(26MM, 8MM 9 ESTRIAS)
P7	4	DBC303310M/P6	EXTENSIBLE 80CM DBC3300M(26MM 8 MM 9 ESTRIAS)

VERSION 4.0