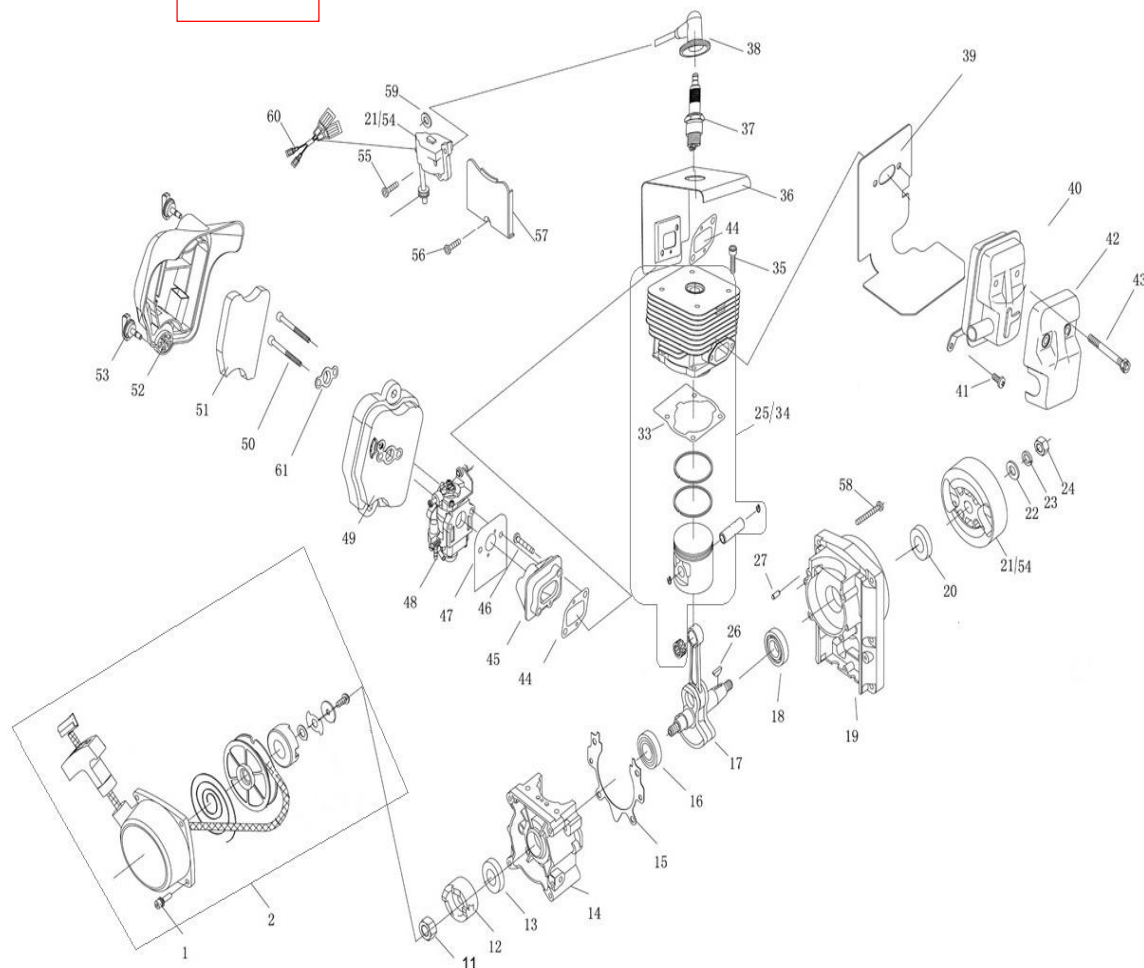




# ATOMIZADOR DUCATI DMD5200S 14L REF. DMD5200S

P1

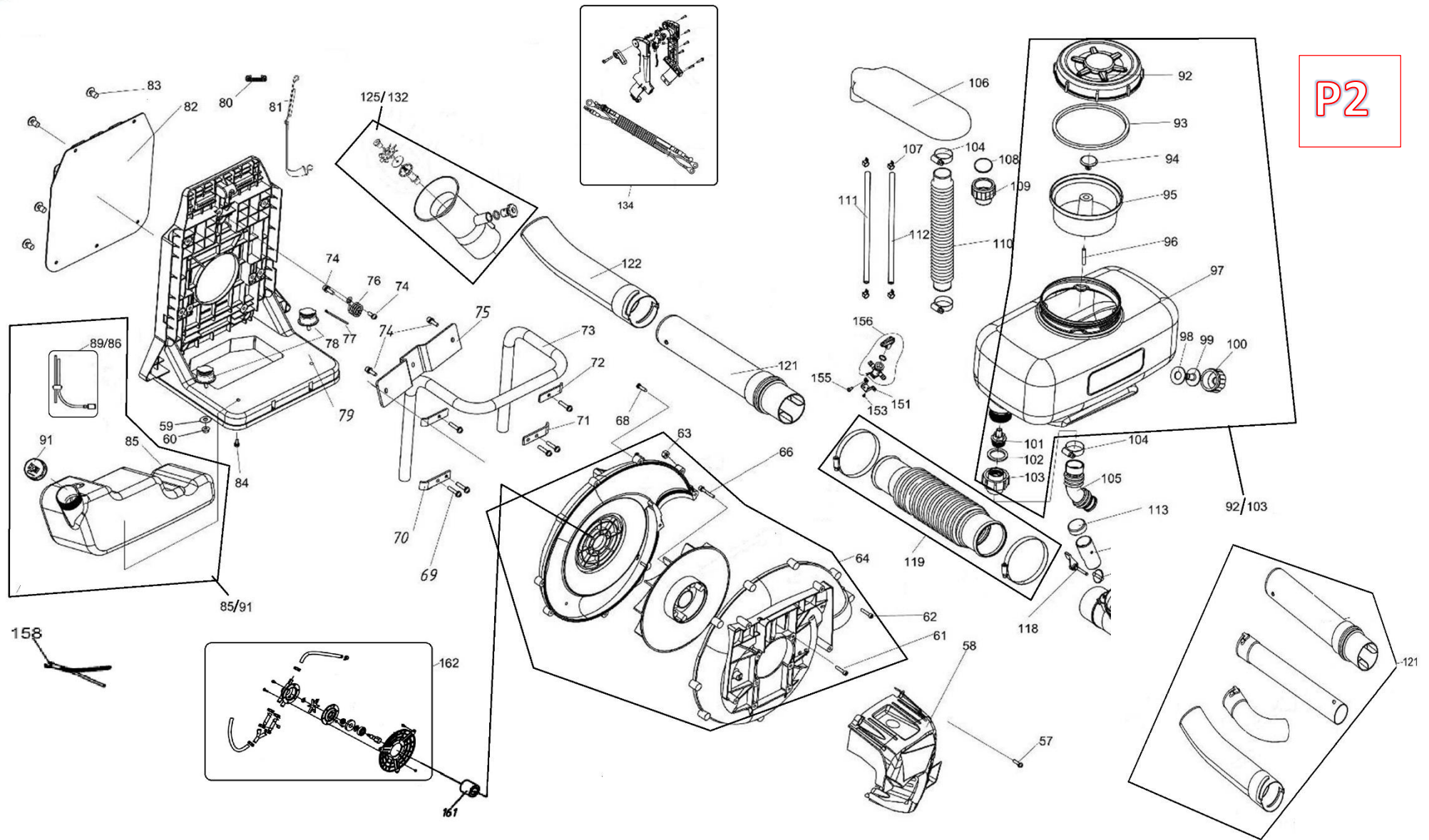


PAG	POS	REFERENCIA	DESCRIPCION	CANT
P1	1	DMD5200S/P1/1	TORNILLO M5X18 DMD5200S	1
P1	2	DMD5200S/P1/2/62	ARRANCADOR COMPLETO DMD5200S	1
P1	11	DMD5200S/P1/11	TUERCA DMD5200S	1
P1	12	DMD5200S/P1/12	POLEA ARRANCADORA DMD5200S	1
P1	13	DMD5200S/P1/13	RETEN LADO ARRANCADOR DMD5200S	1
P1	14	DMD5200S/P1/14	CARTER LADO ARRANCADOR DMD5200S	1
P1	15	DMD5200S/P1/15	JUNTA CARTER DMD5200S	1
P1	16	DMD5200S/P1/16	RODAMIENTO CIGÜEÑAL DMD5200S	1
P1	17	DMD5200S/P1/17	CIGÜEÑAL DMD5200S	1
P1	19	DMD5200S/P1/19	CARTER LADO VOLANTE DMD5200S	1
P1	20	DMD5200S/P1/20	RETEN LADO DMD5200S	1
P1	21/54	DMD5200S/P1/21/54	KIT BOBINA VOLANTE DE ARRANQUE DMD5200S	1
P1	22	DMD5200S/P1/22	ARANDELA DMD5200S	1
P1	23	DMD5200S/P1/23	ARANDELA ELASTICA DMD5200S	1
P1	24	DMD5200S/P1/24	TUERCA M8 DMD5200S	1
P1	25/34	DMD5200S/P1/25/34	KIT CILINDRO Y PISTON DMD5200S	1
P1	26	DMD5200S/P1/26	CHAVETA DMD5200S	1
P1	27	DMD5200S/P1/27	CENTRADOR DMD5200S	1
P1	33	DMD5200S/P1/33	JUNTA CILINDRO DMD5200S	1
P1	35	DMD5200S/P1/35	TORNILLO M5X20 DMD5200S	4
P1	36	DMD5200S/P1/36	CHAPA AIREACION DMD5200S	1
P1	37	DMD5200S/P1/37	BUJIA DMD5200S	1
P1	38	DMD5200S/P1/38	PIPA BUJIA DMD5200S	1
P1	39	DMD5200S/P1/39	JUNTA SILENCIOSO DMD5200S	1
P1	40	DMD5200S/P1/40	SILENCIOSO DMD5200S	1
P1	41	DMD5200S/P1/41	TORNILLO M5X12 DMD5200S	1
P1	42	DMD5200S/P1/42	CARACA SILENCIOSO DMD5200S	1
P1	43	DMD5200S/P1/43	TORNILLO M6X60 12.9 DMD5200S	2
P1	44	DMD5200S/P1/44	JUNTA ADMISION DMD5200S	2
P1	45	DMD5200S/P1/45	SEPARADOR TERMICO DMD5200S	1
P1	46	DMD5200S/P1/46	TORNILLO M5X25 DMD5200S	2
P1	47	DMD5200S/P1/47	JUNTA CARBURADOR DMD5200S	1
P1	48	DMD5200S/P1/48	CARBURADOR DMD5200S	1
P1	49	DMD5200S/P1/49	SOPORTE FILTRO DE AIRE DMD5200S	1
P1	50	DMD5200S/P1/50	TORNILLO M5X55 DMD5200S	2
P1	51	DMD5200S/P1/51	ELEMENTO FILTRO DE AIRE DMD5200S	1
P1	52	DMD5200S/P1/52	TAPA FILTRO DE AIRE DMD5200S	1
P1	53	DMD5200S/P1/53	TORNILLO CIERRE FILTRO DE AIRE DMD5200S	2
P1	55	DMD5200S/P1/55	TORNILLO BOBINA M4X20 DMD5200S	2
P1	56	DMD5200S/P1/56	TORNILLO TAPA M5X20 DMD5200S	1
P1	57	DMD5200S/P1/57	CARACA SILENCIOSO DMD5200S	1
P1	58	DMD5200S/P1/58	TORNILLO M5X20 DMD5200S	4
P1	59	DMD5200S/P1/59	ARANDELA DMD5200S	2
P1	60	DMD5200S/P1/60	CABLES PARE DMD5200S	1
P1	61	DMD5200S/P1/61	CIERRE SOPORTE FILTRO DE AIRE DMD5200S	1

VERSION 2.0



# ATOMIZADOR DUCATI DMD5200S 14L REF. DMD5200S



P2

VERSION 2.0



# ATOMIZADOR DUCATI DMD5200S 14L REF. DMD5200S

PAG	POS	REFERENCIA	DESCRIPCION	CANT	PAG	POS	REFERENCIA	DESCRIPCION	CANT
P2	57	DMD5200S/P2/57	TORNILLO M5X16 DMD5200S	4	P2	96	DMD5200S/P2/96	TUBO DMD5200S	1
P2	58	DMD5200S/P2/58	CARCASA AIREACION MOTOR DMD5200S	1	P2	97	DMD5200S/P2/97	DEPOSITO QUIMICO DMD5200S	1
P2	59	DMD5200S/P2/59	ARANDELA 6 DMD5200S	2	P2	98	DMD5200S/P2/98	JUNTA PLANA DMD5200S	1
P2	60	DMD5200S/P2/60	TUERCA M6 DMD5200S	2	P2	99	DMD5200S/P2/99	CONECTOR TUBO DMD5200S	1
P2	61	DMD5200S/P2/61	TORNILLO M6X30 DMD5200S	6	P2	100	DMD5200S/P2/100	TUERCA CONECTOR DMD5200S	1
P2	62	DMD5200S/P2/62	TORNILLO M5X70 DMD5200S	2	P2	101	DMD5200S/P2/101	CONECTOR TUBO DMD5200S	1
P2	63	DMD5200S/P2/63	TUERCA M5 DMD5200S	2	P2	102	DMD5200S/P2/102	JUNTA PLANA DMD5200S	1
P2	64	DMD5200S/P2/64	KIT CARCASAS Y TURBINA DMD5200S	1	P2	103	DMD5200S/P2/103	TUERCA CONECTOR DMD5200S	1
P2	66	DMD5200S/P2/66	TONILLO TURBINA DMD5200S	4	P2	104	DMD5200S/P2/104	ABRAZADERA 25-40 DMD5200S	3
P2	68	DMD5200S/P2/68	TORNILLO M5X20 DMD5200S	10	P2	105	DMD5200S/P2/105	CODO DEPOSITO DMD5200S	1
P2	69	DMD5200S/P2/69	TORNILLO M6X30 DMD5200S	6	P2	106	DMD5200S/P2/106	TUBO SALIDA DMD5200S	1
P2	70	DMD5200S/P2/70	CHAPA SUJECCION SOPORTE DMD5200S	1	P2	107	DMD5200S/P2/107	CLIP TUBO DMD5200S	4
P2	71	DMD5200S/P2/71	CHAPA SUJECCION SOPORTE DMD5200S	1	P2	108	DMD5200S/P2/108	TAPA DMD5200S	1
P2	72	DMD5200S/P2/72	CHAPA SUJECCION SOPORTE DMD5200S	2	P2	109	DMD5200S/P2/109	CONECTOR DMD5200S	1
P2	73	DMD5200S/P2/73	SOPORTE DEPOSITO QUIMICO DMD5200S	1	P2	110	DMD5200S/P2/110	TUBO DMD5200S	1
P2	74	DMD5200S/P2/74	TORNILLO M6X16 DMD5200S	4	P2	111	DMD5200S/P2/111	TUBO DMD5200S	1
P2	75	DMD5200S/P2/75	CHAPA SUJECCION SOPORTE DMD5200S	3	P2	112	DMD5200S/P2/112	TUBO DMD5200S	1
P2	76	DMD5200S/P2/76	RESORTE AV DMD5200S	1	P2	113	DMD5200S/P2/113	TAPON DMD5200S	1
P2	77	DMD5200S/P2/77	CREMALLERA PLASTICA DMD5200S	1	P2	114	DMD5200S/P2/114	TUBO DMD5200S	1
P2	78	DMD5200S/P2/78	TACO AV DMD5200S	2	P2	115	DMD5200S/P2/115	LEVA DMD5200S	1
P2	79	DMD5200S/P2/79	CHASIS DMD5200S	1	P2	116	DMD5200S/P2/116	CODO DMD5200S	1
P2	80	DMD5200S/P2/80	SOPORTE ARNES DMD5200S	2	P2	117	DMD5200S/P2/117	CONECTOR TUBO DMD5200S	0
P2	81	DMD5200S/P2/81	ARNES (1UNIDAD) DMD5200S	2	P2	118	DMD5200S/P2/118	EJE LEVA DMD5200S	1
P2	82	DMD5200S/P2/82	ALMOHADILLA DMD5200S	1	P2	119	DMD5200S/P2/119	TUBO FLEXIBLE CON ABRAZADERAS DMD5200S	1
P2	83	DMD5200S/P2/83	CLIP DMD5200S	5	P2	121	DMD5200S/P2/121	TUBOS SALIDA DMD5200S	1
P2	84	DMD5200S/P2/84	TORNILLO M6X12 DMD5200S	2	P2	125	DMD5200S/P2/125	REGULADOR BOQUILLA DMD5200S	1
P2	85	DMD5200S/P2/85	DEPOSITO COMBUSTIBLE DMD5200S	1	P2	134	DMD5200S/P2/134	MANDO ACELERADOR COMPLETO DMD5200S	1
P2	86	DMD5200S/P2/86	KIT TUBO COMBUSTIBLE DMD5200S	1	P2	151	DMD5200S/P2/151	SOPORTE GRIFO DMD5200S	1
P2	91	DMD5200S/P2/91	TAPON DEPOSITO COMBUSTIBLE DMD5200S	1	P2	153	DMD5200S/P2/153	TORNILLO ST4.2X8 DMD5200S	1
P2	91/103	DMD5200S/P2/91/103	DEPOSITO QUIMICOS COMPLETO DMD5200S	1	P2	155	DMD5200S/P2/155	TORNILLO ST4.8X13 DMD5200S	1
P2	92	DMD5200S/P2/92	TAPON DEPOSITO QUIMICO DMD5200S	1	P2	156	DMD5200S/P2/156	GRIFO DMD5200S	1
P2	93	DMD5200S/P2/93	JUNTA TAPON DEPOSITO QUIMICO DMD5200S	1	P2	158	DMD5200S/P2/158	CADENA SEGURIDAD DMD5200S	1
P2	94	DMD5200S/P2/94	RESPIRADERO TAPON DEPOSITO QUIMICO DMD5200S	1	P2	161	DMD5200S/P2/161	CASQUILLO UNION BOMBA DMD5200S	1
P2	95	DMD5200S/P2/95	FILTRO LLENADO DEPOSITO QUIMICO DMD5200S	1	P2	162	DMD5200S/P2/162	KIT BOMBA COMPOLETA DMD5200S	1