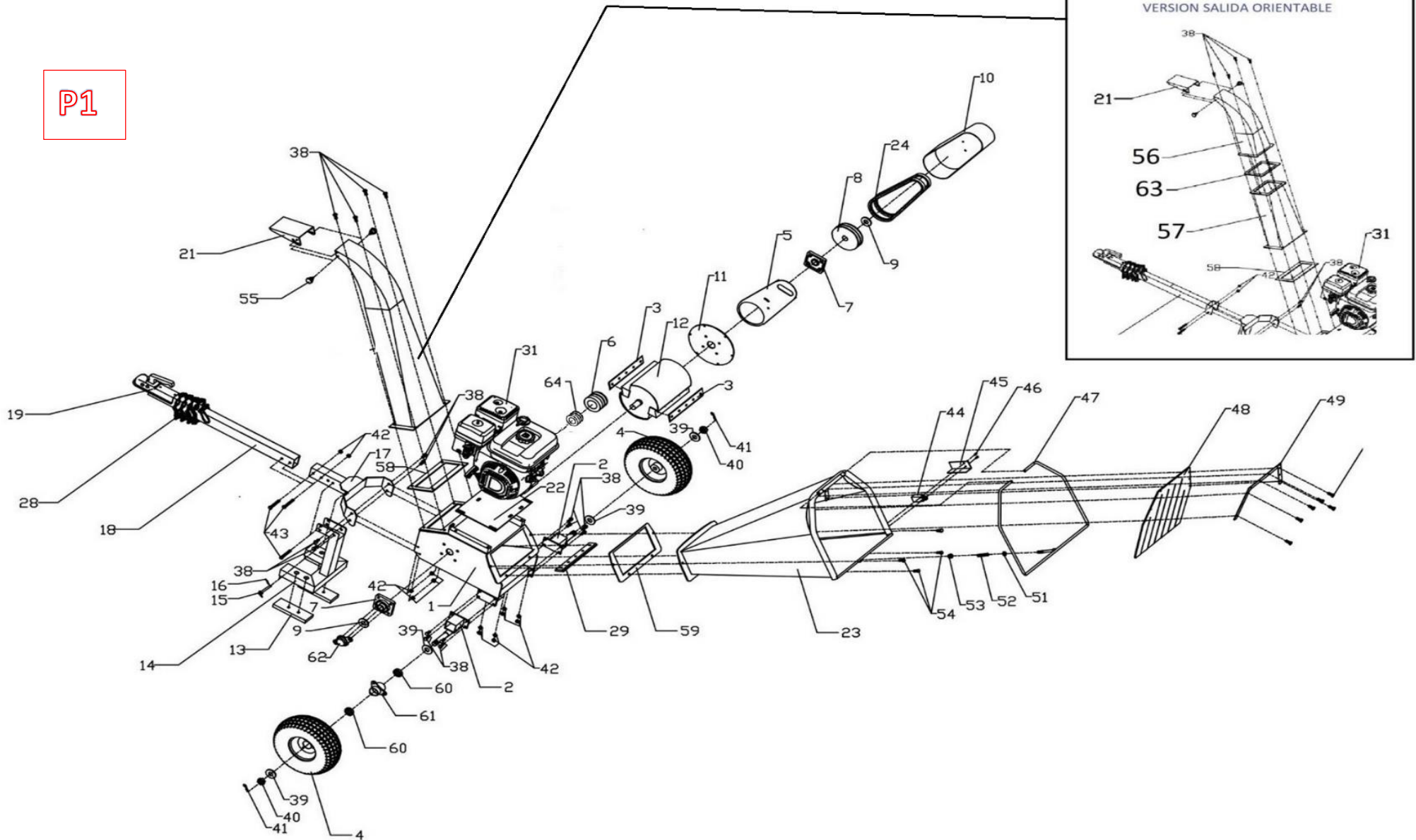




BIOTRITURADORA DUCATI DWS150 15HP REF DWS150

P1



VERSION 1.0



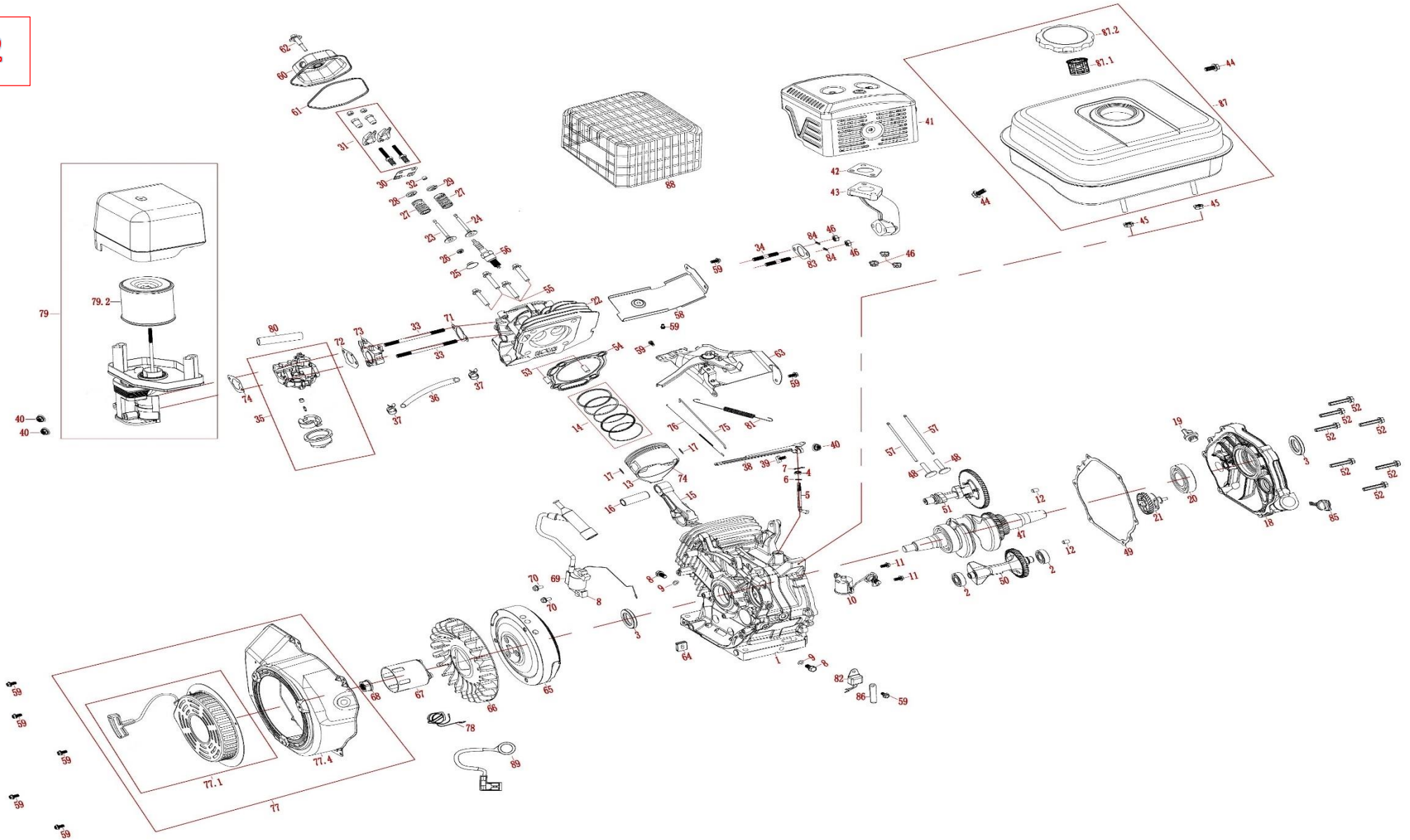
BIOTRITURADORA DUCATI DWS150 15HP REF DWS150

PAG	POS	REFERENCIA	DESCRIPCION	PAG	POS	REFERENCIA	DESCRIPCION
P1	1	DWS150/1	CARCASA ROTOR DWS150 15HP	P1	31	DWS150/31	MOTOR DWS150 15HP
P1	2	DWS150/2	EJE RUEDA DWS150 15HP	P1	38	DWS150/38	TORNILLO 10X24 DWS150 15HP
P1	3	DWS150/3	CUCHILLA DWS150 15HP	P1	39	DWS150/39	ARANDELA 25 DWS150 15HP
P1	4	DWS150/4	RUEDA DWS150 15HP	P1	40	DWS150/40	TUERCA 25 DWS150 15HP
P1	5	DWS150/5	SOPORTE TAPA CORREA DWS150 15HP	P1	41	DWS150/41	PASADOR DWS150 15HP
P1	6	DWS150/6	EMBRAGUE DWS150 15HP	P1	42	DWS150/42	TUERCA 10 DWS150 15HP
P1	7	DWS150/7	RODAMIENTO ROTOR DWS150 15HP	P1	43	DWS150/43	TORNILLO 10X80 DWS150 15HP
P1	8	DWS150/8	POLEA ROTOR DWS150 15HP	P1	44	DWS150/44	INTERRUPTOR SEGURIDAD DWS150 15HP
P1	9	DWS150/9	ARANDELA DWS150 15HP	P1	45	DWS150/45	TAPA INTERRUPTOR DWS150 15HP
P1	10	DWS150/10	TAPA CORREA DWS150 15HP	P1	46	DWS150/46	TORNILLO 6X60 DWS150 15HP
P1	11	DWS150/11	SOPORTE FIJACION RODAMIENTO DWS150 15HP	P1	47	DWS150/47	PALANCA INTERRUPTOR DWS150 15HP
P1	12	DWS150/12	ROTOR DWS150 15HP	P1	48	DWS150/48	GOMA TOLVA ENTRADA DWS150 15HP
P1	13	DWS150/13	PATA GOMA DWS150 15HP	P1	49	DWS150/49	PLACA FIJACION GOMA DWS150 15HP
P1	14	DWS150/14	SOPORTE GOMA DWS150 15HP	P1	50	DWS150/50	TORNILLO 6X16 DWS150 15HP
P1	15	DWS150/15	BULON DWS150 15HP	P1	51	DWS150/51	ARANDELA 12 DWS150 15HP
P1	16	DWS150/16	PASADOR DWS150 15HP	P1	52	DWS150/52	RESORTE PALANCA INTERRUPTOR DWS150 15HP
P1	17	DWS150/17	SOPORTE LANZA DWS150 15HP	P1	53	DWS150/53	TUERCA 12 DWS150 15HP
P1	18	DWS150/18	LANZA DWS150 15HP	P1	54	DWS150/54	TORNILLO 8X12 DWS150 15HP
P1	19	DWS150/19	ENGANCHE DWS150 15HP	P1	55	DWS150/55	POMO REGULACION SALIDA DWS150 15HP
P1	56,57,63	DWS150/202	TOLVA COMPLETA SALIDA ORIENTABLE DWS150 15HP	P1	58	DWS150/58	GOMA AJUSTE TOLVA SALIDA DWS150 15HP
P1	21	DWS150/21	SALIDA REGULABLE DWS150 15HP	P1	59	DWS150/59	GOMA AJUSTE TOLVA ENTRADA DWS150 15HP
P1	22	DWS150/22	SOPORTE MOTOR DWS150 15HP	P1	60	DWS150/60	RODAMIENTO DWS150 15HP
P1	23	DWS150/23	TOLVA ENTRADA DWS150 15HP	P1	61	DWS150/61	SOPORTE RODAMIENTOS DWS150 15HP
P1	24	DWS150/24	CORREA DWS150 15HP	P1	62	DWS150/62	TAPA RODAMEINTO ROTOR DWS150 15HP
P1	28	DWS150/28	CADENA SEGURIDAD ENGANCHE DWS150 15HP	P1	64	DWS150/64	POLEA TAMBOR EMBRAGUE BIO. DWS150 15HP
P1	29	DWS150/29	CONTRACUCHILLA DWS150 15HP				



BIOTRITURADORA DUCATI DWS150 15HP REF DWS150

P2



VERSION 1.0



BIOTRITURADORA DUCATI DWS150 15HP REF DWS150

PAG	POS	REFERENCIA	DESCRIPCION	CAN	PAG	POS	REFERENCIA	DESCRIPCION	CAN	PAG	POS	REFERENCIA	DESCRIPCION	CAN
P2	1	DWS150M/1	CARTER MOTOR DWS150 15HP	1	P2	33	DWS150M/33	ESPARRAGO ADMISION DWS150 15HP	2	P2	65	DWS150M/65	VOLANTE DE ARRANQUE DWS150 15HP	1
P2	2	DWS150M/2	RODAMIENTO DWS150 15HP	2	P2	34	DWS150M/34	ESPARRAGO ESCAPE DWS150 15HP	2	P2	66	DWS150M/66	VENTILADOR DWS150 15HP	1
P2	3	DWS150M/3	RETEN DWS150 15HP	2	P2	35	DWS150M/35	CARBURADOR DWS150 15HP	1	P2	67	DWS150M/67	POLEA ARRANCADOR DWS150 15HP	1
P2	4	DWS150M/4	RETEN EJE REGULADOR DWS150 15HP	1	P2	36	DWS150M/36	TUBO COMBUSTIBLE DWS150 15HP	1	P2	68	DWS150M/68	TUERCA VOLANTE DWS150 15HP	1
P2	5	DWS150M/5	EJE REGULADOR DWS150 15HP	1	P2	37	DWS150M/37	CLIP DWS150 15HP	2	P2	69	DWS150M/69	BOBINA DE ARRANQUE DWS150 15HP	1
P2	6	DWS150M/6	ARANDELA DWS150 15HP	1	P2	38	DWS150M/38	BRAZO REGULADOR DWS150 15HP	1	P2	70	DWS150M/70	TORNILLO DWS150 15HP	2
P2	7	DWS150M/7	PASADOR DWS150 15HP	1	P2	39	DWS150M/39	TORNILLO BRAZO REGULADOR DWS150 15HP	1	P2	71	DWS150M/71	JUNTA ADMISION DWS150 15HP	1
P2	8	DWS150M/8	TAPON VACIADO DWS150 15HP	2	P2	40	DWS150M/40	TUERCA DWS150 15HP	3	P2	72	DWS150M/72	SEPARADOR TERMICO DWS150 15HP	1
P2	9	DWS150M/9	ARANDELA TAPON VACIADO DWS150 15HP	2	P2	41	DWS150M/41	SILENCIOSO DWS150 15HP	1	P2	73	DWS150M/73	JUNTA CARBURADOR DWS150 15HP	1
P2	10	DWS150M/10	ALERTA NIVEL ACEITE DWS150 15HP	1	P2	42	DWS150M/42	JUNTA SILENCIOSO-COLECTOR DWS150 15HP	1	P2	74	DWS150M/74	JUNTA FILTRO AIRE DWS150 15HP	1
P2	11	DWS150M/11	TORNILLO DWS150 15HP	2	P2	43	DWS150M/43	COLECTOR ESCAPE DWS150 15HP	1	P2	75	DWS150M/75	VARILLA ACELERADOR DWS150 15HP	1
P2	12	DWS150M/12	CASQUILLO TAPA CARTER DWS150 15HP	2	P2	44	DWS150M/44	TORNILLO DWS150 15HP	2	P2	76	DWS150M/76	MUELLE RETORNO ACELERADOR DWS150 15HP	1
P2	13	DWS150M/13	PISTON DWS150 15HP	1	P2	45	DWS150M/45	TUERCA DWS150 15HP	2	P2	77	DWS150M/77	ARRANCADOR Y CARCASA AIREACION DWS150	1
P2	14	DWS150M/14	JUEGO SEGMENTOS DWS150 15HP	1	P2	46	DWS150M/46	TUERCA DWS150 15HP	5	P2	77	DWS150M/77,1	ARRANCADOR COMPLETO DWS150 15HP	1
P2	15	DWS150M/15	BIELA DWS150 15HP	1	P2	47	DWS150M/47	CIGÜEÑAL DWS150 15HP	1	P2	77	DWS150M/77,4	CARCASA AIREACION DWS150 15HP	1
P2	16	DWS150M/16	BULONO DWS150 15HP	1	P2	48	DWS150M/48	TAQUE DWS150 15HP	2	P2	78	DWS150M/78	INTERRUPTOR ON/OFF DWS150 15HP	1
P2	17	DWS150M/17	CLIP BULON DWS150 15HP	2	P2	49	DWS150M/49	JUNTA CARTER DWS150 15HP	1	P2	79	DWS150M/79	ANCLAJE FILTRO DE AIRE DWS150 15HP	1
P2	18	DWS150M/18	TAPA CARTER DWS150 15HP	1	P2	50	DWS150M/50	CONTRAPESO DWS150 15HP	1	P2	79	DWS150M/79,2	ELEMENTO FILTRO DE AIRE DWS150 15HP	1
P2	19	DWS150M/19	TAPON ACEITE DWS150 15HP	1	P2	51	DWS150M/51	ARBOL DE LEVAS DWS150 15HP	1	P2	80	DWS150M/80	TUBO RESPIRADERO DWS150 15HP	1
P2	20	DWS150M/20	RODAMIENTO DWS150 15HP	1	P2	52	DWS150M/52	TORNILLO DWS150 15HP	7	P2	81	DWS150M/81	MUELLE REGULADOR DWS150 15HP	1
P2	21	DWS150M/21	PIÑON REGULADOR DWS150 15HP	1	P2	53	DWS150M/53	CASQUILLO CULATA DWS150 15HP	2	P2	82	DWS150M/82	DIODO ALERTA DE ACIETE DWS150 15HP	1
P2	22	DWS150M/22	CULATA DWS150 15HP	1	P2	54	DWS150M/54	JUNTA CULATA DWS150 15HP	1	P2	83	DWS150M/83	JUNTA SILENCIOSO DWS150 15HP	1
P2	23	DWS150M/23	VALVULA ADM DWS150 15HP	1	P2	55	DWS150M/55	TORNILLO DWS150 15HP	4	P2	84	DWS150M/84	ARANDELA ELASTICA DWS150 15HP	2
P2	24	DWS150M/24	VALVULA ESC DWS150 15HP	1	P2	56	DWS150M/56	BUJIA DWS150 15HP	1	P2	85	DWS150M/85	VARILA NIVEL ACEITE DWS150 15HP	1
P2	25	DWS150M/25	ASIENTO VALVULA DWS150 15HP	1	P2	57	DWS150M/57	VARILLA EMPUJADORA DWS150 15HP	2	P2	86	DWS150M/86	CLIP CABLEADO DWS150 15HP	1
P2	26	DWS150M/26	RETEN VALVULA DWS150 15HP	1	P2	58	DWS150M/58	CHAPA AIREACION CULATA DWS150 15HP	1	P2	87	DWS150M/87	DEPOSITO COMBUSITBLE COMPLETO DWS150	1
P2	27	DWS150M/27	MUELLE VALVULA DWS150 15HP	2	P2	59	DWS150M/59	TORNILLO DWS150 15HP	9	P2	87	DWS150M/87,1	FILTRO LLENADO DWS150 15HP	1
P2	28	DWS150M/28	PLATILLO VALVULA ADM DWS150 15HP	1	P2	60	DWS150M/60	TAPA VALVULAS DWS150 15HP	1	P2	87	DWS150M/87,2	TAPON DEPOSITO DWS150 15HP	1
P2	29	DWS150M/29	PLATILLO VALVULA ESC DWS150 15HP	1	P2	61	DWS150M/61	JUNTA TAPA VALVULAS DWS150 15HP	1	P2	88	DWS150M/88	REJILLA PROTECTORA SILENCIOSO DWS150 15HP	1
P2	30	DWS150M/30	PLACA GUIA VARILLA DWS150 15HP	1	P2	62	DWS150M/62	TORNILLO TAPA VALVULAS DWS150 15HP	1	P2	89	DWS150M/89	CABLEADO PARE DWS150 15HP	1
P2	31	DWS150M/31	KIT BALANCINES DWS150 15HP	2	P2	63	DWS150M/63	ACELERADOR DWS150 15HP	1					
P2	32	DWS150M/32	CASQUILLO VALVULA DWS150 15HP	1	P2	64	DWS150M/64	GOMA DWS150 15HP	1					